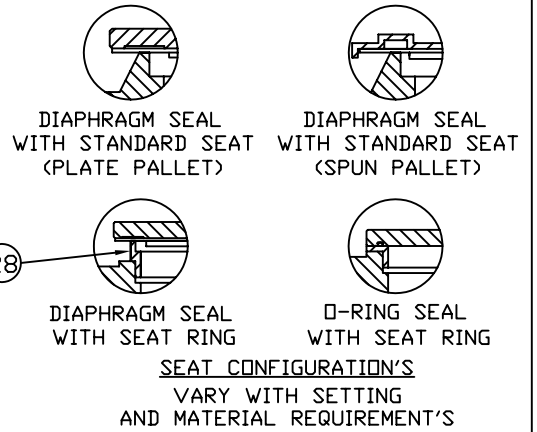
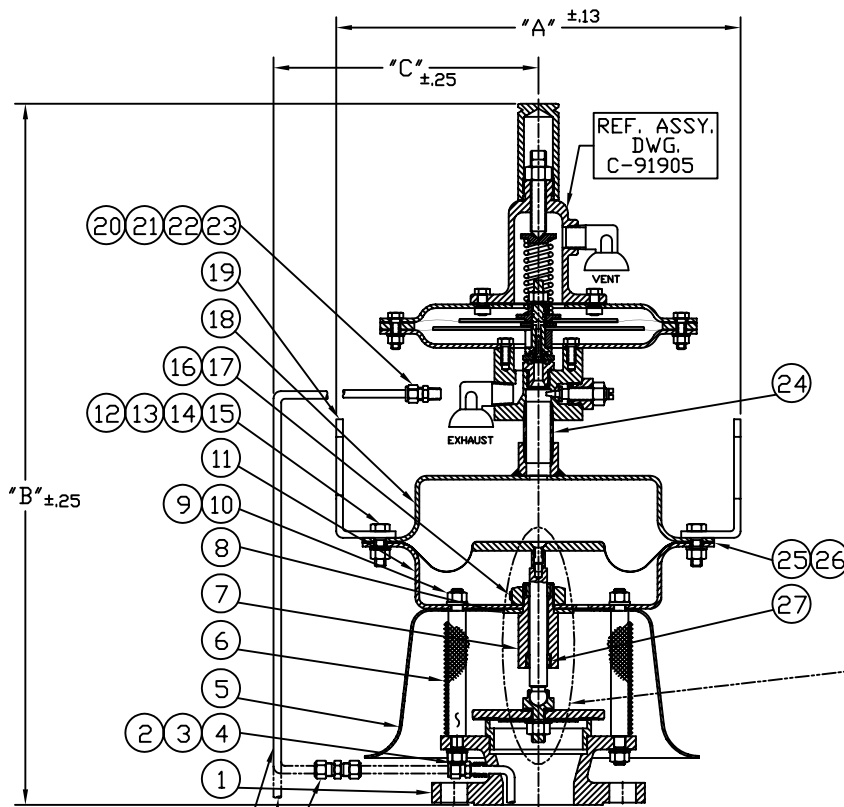


DESCRIPTION

MODEL 1430
PILOT OPERATED VALVE
PRESSURE RELIEF



"REF." DWG. C-92144
FOR PRESSURE
PALLET ASSY. COMPONENTS

ACCESSORIES

- FIELD TEST CONN.
- MANUAL BLOWDOWN
- REMOTE BLOWDOWN
- REMOTE SENSE
- PILOT EXHAUST PIPED TO DISCHARGE HEADER.
- BACK-FLOW PREVENTOR
- PILOT SUPPLY FILTER
- NO OPTIONS

CHECK WHEN APPLICABLE.

THIS SECTION ROTATED FROM TRUE POSITION
SENSE LINE CONNECTION ON BODY OR REMOTE PICK-UP. (CUSTOMER OPTION)

D=DIA OF BOLT HOLES
E=NUMBER OF HOLES
F=BOLT CIRCLE DIA

SIZE	A		B		C		D		E	F	
	in.	mm	in.	mm	in.	mm	in.	mm		qty.	in.
2"	11.50	292	20.25	514	6.50	165	.75	19	4	4.75	121
3"	12.50	318	22.00	559	7.00	178	.75	19	4	6.00	152
4"	13.38	340	24.25	616	7.13	181	.75	19	8	7.50	191
6"	18.00	457	25.63	651	9.50	241	.88	22	8	9.50	241
8"	21.00	534	30.00	762	11.00	279	.88	22	8	11.75	298
10"	25.00	635	30.88	784	13.00	330	1.00	25	12	14.25	362
12"	27.00	686	34.25	870	14.00	356	1.00	25	12	17.00	432

NOTE:
STANDARD 150 LB. ANSI FLANGE DRILLING.

THIS DRAWING EMBODIES A CONFIDENTIAL PROPRIETARY DESIGN ORIGINATED BY GROTH CORPORATION, AND ALL DESIGN, MANUFACTURING, REPRODUCTION, USE AND SALE RIGHTS, REGARDING THE SAME ARE EXPRESSLY RESERVED. IT IS SUBMITTED UNDER A CONFIDENTIAL RELATIONSHIP FOR A SPECIFIED PURPOSE, AND THE RECIPIENT AGREES BY ACCEPTING THIS DRAWING NOT TO SUPPLY OR DISCLOSE ANY INFORMATION REGARDING IT TO ANY UNAUTHORIZED PERSONS OR TO INCORPORATE IN OTHER PROJECTS ANY SPECIAL FEATURES PECULIAR TO THIS DESIGN. ALL PATENTS RIGHTS HERETO ARE EXPRESSLY RESERVED BY GROTH CORPORATION, 1202 HAHLD, HOUSTON, TEXAS 77020

A	12-27-99	JEL	99097
REV.	DATE	BY	DESCRIPTION



GROTH CORPORATION
HOUSTON, TEXAS

CERTIFIED:
DATE:

DWG. NO.: C-92141
DWN BY: GS

ITEM	DESCRIPTION	STANDARD MATERIALS OF CONSTRUCTION			OPTIONAL FEATURES
		ALUMINUM <input type="checkbox"/>	CARBON STL <input type="checkbox"/>	316 SS <input type="checkbox"/>	
1	BODY	AL (356 T6)	CS (WCB)	316 SS (CF-8M)	
2	WEATHERHOOD POST	316 SS	316 SS	316 SS	
3	HEX NUT	316 SS	316 SS	316 SS	
4	LOCK WASHER	316 SS	316 SS	316 SS	
5	WEATHERHOOD	ALUM	CS	316 SS	
6	SCREEN	316 SS	316 SS	316 SS	
7	STEM GUIDE	316 SS	316 SS	316 SS	
8	WASHER-STEM GUIDE	303 SS	303 SS	316 SS	
9	HEX NUT	316 SS	316 SS	316 SS	
10	LOCK WASHER	316 SS	316 SS	316 SS	
11	LOWER ACTUATOR HOUSING	316 SS	316 SS	316 SS	
12	HEX BOLT	316 SS	316 SS	316 SS	
13	FLAT WASHER	316 SS	316 SS	316 SS	
14	LOCK WASHER	316 SS	316 SS	316 SS	
15	HEX NUT	316 SS	316 SS	316 SS	
16	SET SCREW	316 SS	316 SS	316 SS	
17	HEX JAM NUT	316 SS	316 SS	316 SS	
18	UPPER ACTUATOR HOUSING	316 SS	316 SS	316 SS	
19	LIFTING EYE	316 SS	316 SS	316 SS	
20	MALE CONNECTOR	316 SS	316 SS	316 SS	
21	TUBING	316 SS	316 SS	316 SS	
22	UNION	316 SS	316 SS	316 SS	
23	MALE CONNECTOR	316 SS	316 SS	316 SS	
24	NIPPLE	316 SS	316 SS	316 SS	
25	* GASKET-ACTUATOR	FEP	FEP	FEP	
26	* DIAPHRAGM-ACTUATOR	PFA	PFA	PFA	
27	* BUSHING-STEM GUIDE	PTFE	PTFE	PTFE	
28	SEAT RING (1)	316 SS	316 SS	N/A	
29	CROSS, PIPE	316 SS	316 SS	316 SS	
30	PLUG, PIPE	316 SS	316 SS	316 SS	
31	GASKET	PTFE	PTFE	PTFE	

* SPARE PARTS

(1) STANDARD - BONDED ON ALUMINUM UNITS, WELDED ON CS AND 316 SS UNITS.

DWG. NUMBER:
BOM NUMBER:

C-92141
92141BOM.xls

REV. C
REV. C

