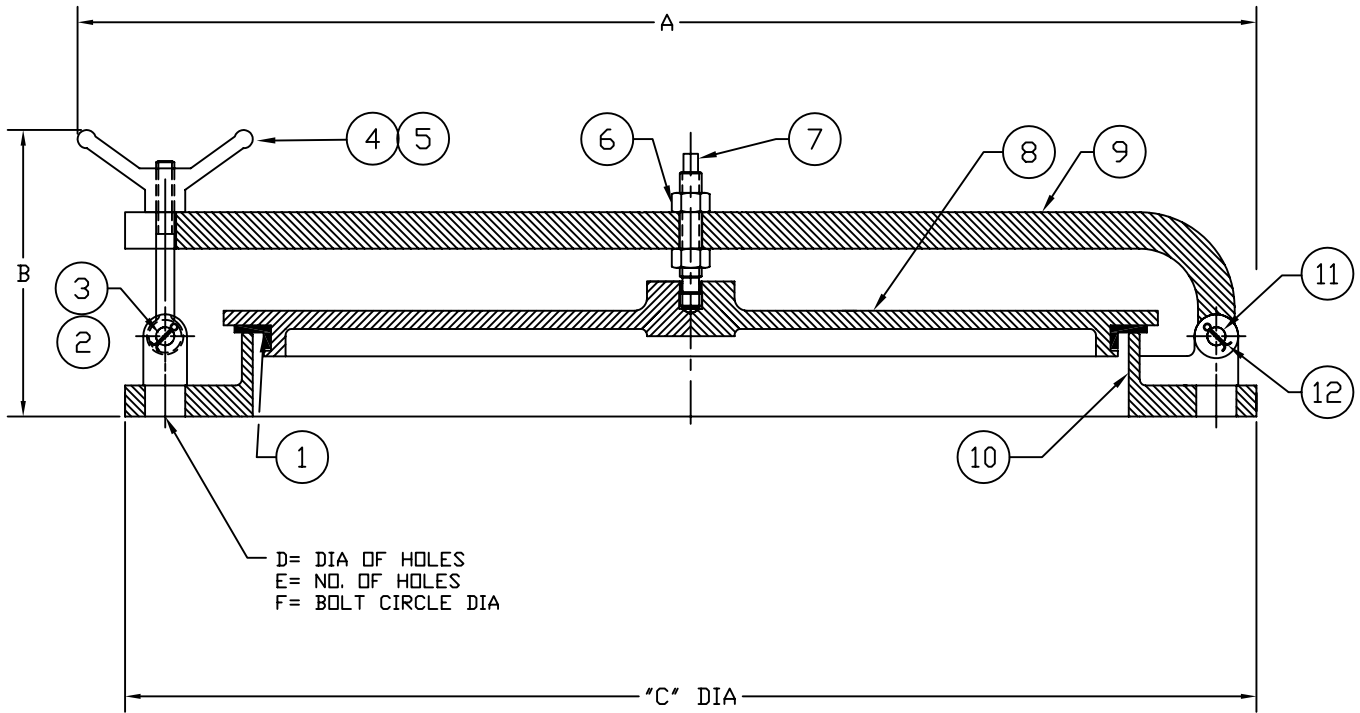


MODEL 8200
ROOF MANHOLE
COVER



SIZE	FLANGE DRILLING	A	B	C	D	E	F
18"	150 LB	27.25 (692.2)	9.38 (238.3)	25.00 (635.0)	1.25 (31.7)	16	22.75 (577.8)
20"	150 LB	29.50 (749.3)	9.38 (238.3)	27.50 (698.5)	1.25 (31.7)	20	25.00 (635.0)
	650 API				.75 (19)		
24"	150 LB	32.75 (831.8)	9.38 (238.3)	29.50 (749.3)	1.38 (35.0)	20	29.50 (749.3)
	650 API				.75 (19)		
30"	150 LB	40.38 (1025.6)	9.38 (238.3)	38.75 (984.2)	1.38 (35.0)	28	36.00 (914.4)
36"	150 LB	47.75 (1212.8)	9.38 (238.3)	46.00 (1168.4)	1.62 (41.1)	32	42.75 (1085.8)

DIMENSIONS IN PARENTHESIS ARE IN MILLIMETERS.

TAGS AND SPECIFICATIONS



GROTH CORPORATION
HOUSTON, TEXAS

CERTIFIED

DWG. NO. C-87207

REVISION:

DATE:

ITEM	NAME	MATL	SPEC
1 *	SEAL RING	BUNA-N	
2	COTTER PIN	SS	
3	FRONT HINGE PIN	304 SS	
4	EYE BOLT	304 SS	
5	HANDLE	304 SS	
6	HEX NUT	304 SS	
7	STUD	304 SS	
8	COVER	304 SS	
9	ARM	304 SS	
10	BODY	304 SS	
11	HINGE PIN	304 SS	
12	COTTER PIN	SS	

* SPARE PARTS

DWG NUMBER: C87207

BOM NUMBER: 87207041 REV 0

MATERIAL: STAINLESS STL 304/ BUNA-N

MODEL: 8200