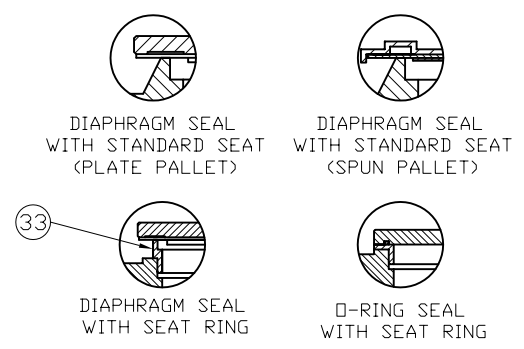
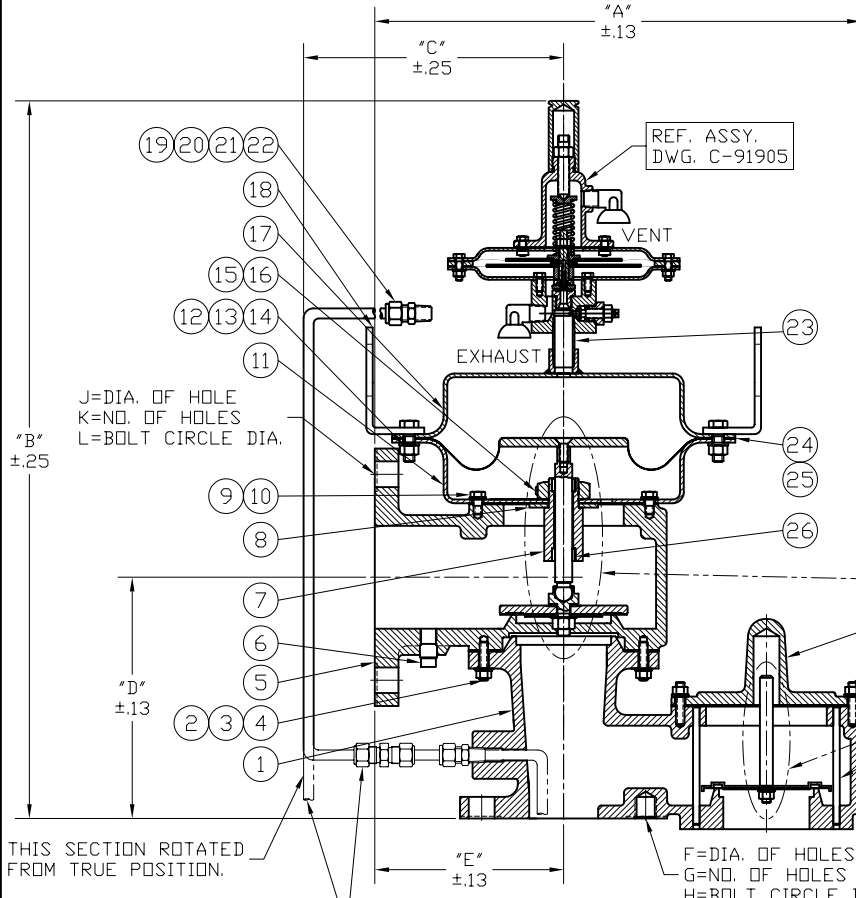


MODEL 1420
PILOT OPERATED VALVE
PRESSURE/VACUUM RELIEF



SEAT CONFIGURATION'S
VARY WITH SETTING
AND MATERIAL REQUIREMENT'S

"REF." DWG. C-92144
FOR PRESSURE/VACUUM
PALLET ASSY. COMPONENTS

- ACCESSORIES**
- ___ FIELD TEST CONN.
 - ___ MANUAL BLOWDOWN
 - ___ REMOTE BLOWDOWN
 - ___ REMOTE SENSE
 - ___ PILOT EXHAUST PIPED TO DISCHARGE HEADER.
 - ___ BACK-FLOW PREVENTOR
 - ___ PILOT SUPPLY FILTER
 - ___ NO OPTIONS
- CHECK WHEN APPLICABLE.

SIZE	FLANGE DRILLING	A		B		C		D		E		F		G		H		J		K		L	
		in	mm	in	mm	in	mm	in	mm	in	mm	in	mm	qty.	in	mm	in	mm	qty.	in	mm		
2"x3"	ANSI 150#	14.50	368	26.50	673	7.00	178	7.00	178	5.50	140	.75	19	4	4.75	121	.75	19	4	6.00	152		
3"x4"		18.00	457	28.75	730	7.50	191	8.13	207	6.00	152	.75	19	4	6.00	152	.75	19	8	7.50	191		
4"x6"		19.25	489	31.50	800	8.00	203	9.50	241	6.50	165	.75	19	8	7.50	191	.88	22	8	9.50	241		
6"x8"		26.50	673	36.50	927	10.25	260	12.75	324	8.50	216	.88	22	8	9.50	241	.88	22	8	11.75	298		
8"x10"		32.50	826	42.25	1073	11.75	298	15.25	387	10.75	273	.88	22	8	11.75	298	1.00	25	12	14.25	362		
10"x12"		37.75	959	46.50	1181	13.25	337	18.00	457	12.50	318	1.00	25	12	14.25	362	1.00	25	12	17.00	432		
12"x14"		42.75	1086	52.50	1334	14.75	375	20.63	524	15.00	381	1.00	25	12	17.00	432	1.13	29	12	18.75	476		

TAGS AND SPECIFICATIONS

THIS DRAWING EMBODIES A CONFIDENTIAL PROPRIETARY DESIGN ORIGINATED BY GROTH CORPORATION, AND ALL DESIGN, MANUFACTURING, REPRODUCTION, USE AND SALE RIGHTS, REGARDING THE SAME ARE EXPRESSLY RESERVED. IT IS SUBMITTED UNDER A CONFIDENTIAL RELATIONSHIP FOR A SPECIFIED PURPOSE, AND THE RECIPIENT AGREES BY ACCEPTING THIS DRAWING NOT TO SUPPLY OR DISCLOSE ANY INFORMATION REGARDING IT TO ANY UNAUTHORIZED PERSONS OR TO INCORPORATE IN OTHER PROJECTS ANY SPECIAL FEATURES PECULIAR TO THIS DESIGN. ALL PATENTS RIGHTS HERETO ARE EXPRESSLY RESERVED BY GROTH CORPORATION, 13650 N. PROMENADE, STAFFORD, TEXAS 77477

REV.	DATE	BY	ECN NO.



GROTH CORPORATION
a Continental Disc Company

APPROVED BY: M. ANDERSON	CHECKED BY: G. SENTEND	DWG. NO.: C-92143
DATE: 11/13/02	DATE: 11/13/02	DWN BY: MP

ITEM	DESCRIPTION	STANDARD MATERIALS OF CONSTRUCTION			OPTIONAL FEATURES
		ALUMINUM □	CARBON STL □	316 SS □	
1	BODY	AL (356 T6)	CS (WCB)	316 SS (CF-8M)	
2	STUD	316 SS	316 SS	316 SS	
3	NUT, HEX	316 SS	316 SS	316 SS	
4	WASHER, LOCK	316 SS	316 SS	316 SS	
5	OUTLET	AL (356 T6)	CS (WCB)	316 SS (CF-8M)	
6	PLUG, PIPE	316 SS	316 SS	316 SS	
7	GUIDE, STEM	316 SS	316 SS	316 SS	
8	WASHER - STEM GUIDE	316 SS	316 SS	316 SS	
9	BOLT, HEX	316 SS	316 SS	316 SS	
10	WASHER, LOCK	316 SS	316 SS	316 SS	
11	ACTUATOR HOUSING - LOWER	316 SS	316 SS	316 SS	
12	BOLT, HEX	316 SS	316 SS	316 SS	
13	WASHER, LOCK	316 SS	316 SS	316 SS	
14	NUT, HEX	316 SS	316 SS	316 SS	
15	JAM NUT, HEX	316 SS	316 SS	316 SS	
16	SCREW, SET	316 SS	316 SS	316 SS	
17	ACTUATOR HOUSING - UPPER	316 SS	316 SS	316 SS	
18	EYE, LIFTING	316 SS	316 SS	316 SS	
19	CONNECTOR, MALE	316 SS	316 SS	316 SS	
20	TUBING	316 SS	316 SS	316 SS	
21	UNION	316 SS	316 SS	316 SS	
22	CONNECTOR, MALE	316 SS	316 SS	316 SS	
23	NIPPLE	316 SS	316 SS	316 SS	
24	* GASKET - ACTUATOR	FEP	FEP	FEP	
25	* DIAPHRAGM-ACTUATOR	PFA	PFA	PFA	
26	* BUSHING-STEM GUIDE	PTFE	PTFE	PTFE	
27	COVER - VACUUM	AL (356 T6)	CS (WCB)	316 SS (CF-8M)	
28	STUD	316 SS	316 SS	316 SS	
29	NUT, HEX	316 SS	316 SS	316 SS	
30	WASHER, LOCK	316 SS	316 SS	316 SS	
31	* GASKET - COVER	PTFE	PTFE	PTFE	
32	ROD, GUIDE	316 SS	316 SS	316 SS	
33	SEAT RING - PRESSURE (1)	316 SS	316 SS	N/A	
34	CROSS, PIPE	316 SS	316 SS	316 SS	
35	PLUG, PIPE	316 SS	316 SS	316 SS	
36	GASKET	PTFE	PTFE	PTFE	

* SPARE PARTS

(1) STANDARD - BONDED ON ALUMINUM UNITS, WELDED ON CS UNITS.

DWG. NUMBER:
BOM NUMBER:

C-92143
92143BOM.XLS

REV. B
REV. B



a Continental Disc Company