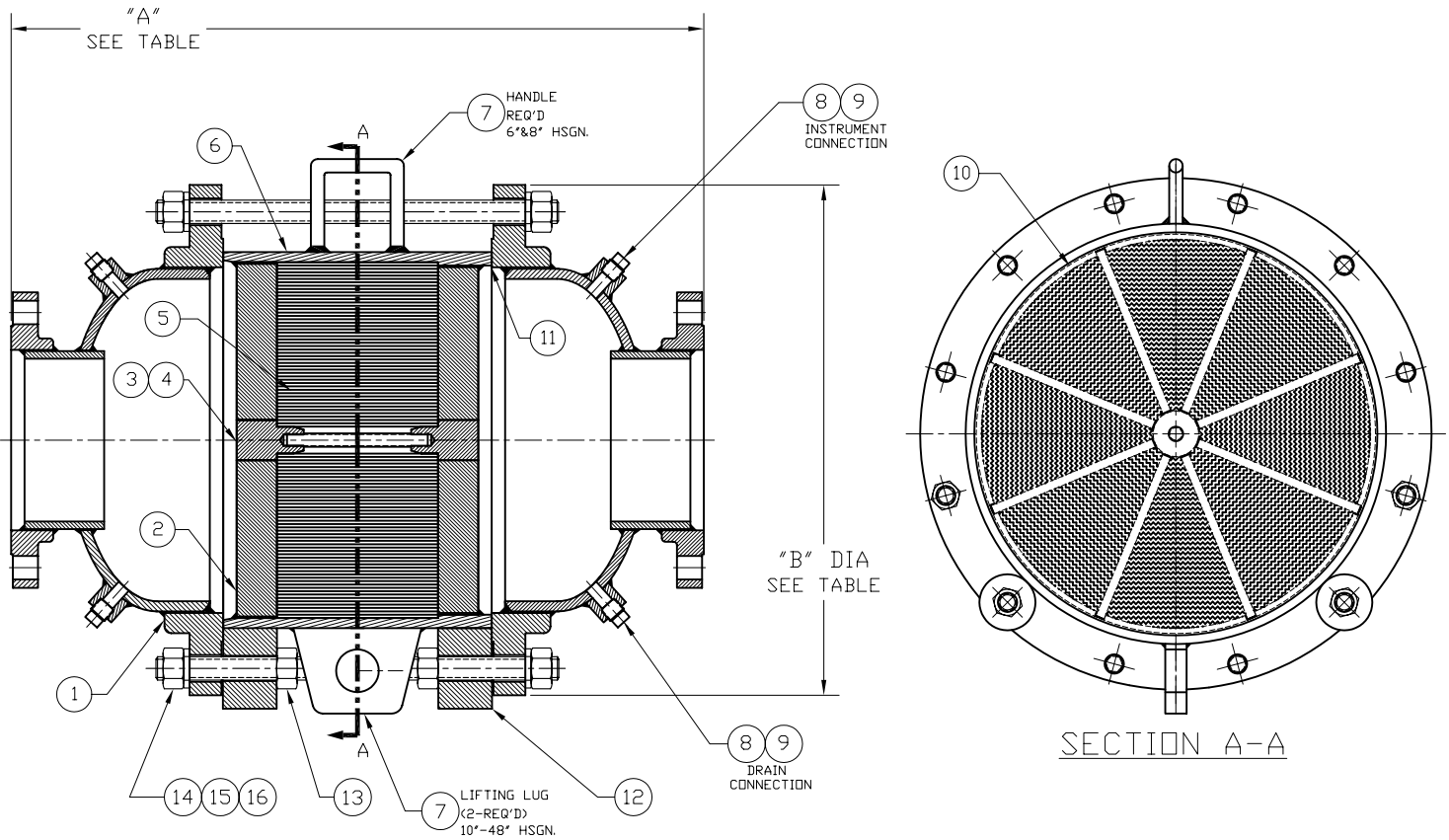


MODEL 7658A  
 DETONATION  
 FLAME ARRESTER



NOTE:

- (1.) MODEL NUMBER DESIGNATION INCLUDES LINE (FLANGE) SIZE & NOMINAL FLAME ELEMENT (HOUSING) SIZE.  
 EX: 7658A-6X24-35-FD - 6" FLG & 24" HSN.
- (2.) SEE TABLE FOR OVERALL DIMENSIONS BASED ON NOMINAL HOUSING SIZE.
- (3.) SEE DWG C-92796 FOR ANSI/CLASS 150 AND ALTERNATE FLANGE DRILLING PATTERNS.

HSNG SIZE	A		B		WT	
	in	mm	in	mm	lbs.	kg
5"	17.19	437	9.00	229	75	34
6"	20.31	516	11.00	279	100	45
8"	22.43	570	13.50	343	175	79
10"	24.63	626	16.00	406	275	125
12"	25.94	659	19.00	483	350	159
16"	29.63	753	23.50	597	550	249
20"	32.43	824	27.50	699	850	386
24"	38.75	984	32.00	813	1200	544
28"	35.75	908	36.50	927	1600	726
30"	42.88	1086	38.75	984	1900	862
32"	39.25	997	41.75	1060	2200	998
36"	42.00	1067	46.00	1219	2900	1315
42"	50.00	1270	53.00	1346	4100	1860
48"	56.00	1422	59.50	1511	5300	2404

TAGS AND SPECIFICATIONS

THIS DRAWING EMBODIES A CONFIDENTIAL PROPRIETARY DESIGN ORIGINATED BY GROTH CORPORATION, AND ALL DESIGN, MANUFACTURING, REPRODUCTION, USE AND SALE RIGHTS, REGARDING THE SAME ARE EXPRESSLY RESERVED. IT IS SUBMITTED UNDER A CONFIDENTIAL RELATIONSHIP FOR A SPECIFIED PURPOSE, AND THE RECIPIENT AGREES BY ACCEPTING THIS DRAWING NOT TO SUPPLY OR DISCLOSE ANY INFORMATION REGARDING IT TO ANY UNAUTHORIZED PERSONS OR TO INCORPORATE IN OTHER PROJECTS ANY SPECIAL FEATURES PECULIAR TO THIS DESIGN. ALL PATENTS RIGHTS HERETO ARE EXPRESSLY RESERVED BY GROTH CORPORATION, 13650 N. PROMENADE, STAFFORD, TEXAS 77477

REV.	DATE	BY	ECN NO.
J	08-23-01	ESQ	10275
K	03-07-02	ESQ	10354
L	12-30-04	GS	10807

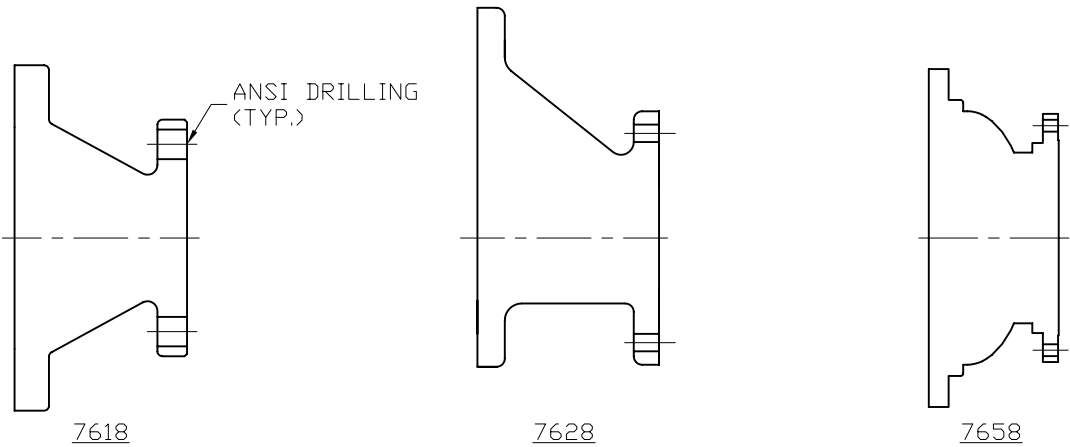


GROTH CORPORATION  
 a Continental Disc Company

APPROVED BY: -	CHECKED BY: C.F.S.	DWG. NO.: C-91392
DATE: -	DATE: 08/05/97	DWN BY: ES QUINTERO

NOTE: (1.) MODEL 7658A IS ONLY MODEL AVAILABLE WITH 1" FLANGE CONNECTION.

FLAME ARRESTER  
FLANGE DRILLING DIMENSION TABLES  
ANSI/CLASS 150 & ALTERNATE DRILLING



DRILLED HOLE PATTERNS

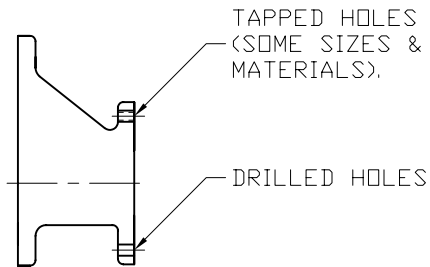
SIZE	FLANGE DRILLING	HOLE DIA.		NO. OF HOLES	BOLT CIRCLE DIA.	
		in	mm		in	mm
1"	ANSI 150	.63	16	4	3.13	80
2"	ANSI 150	.75	19	4	4.75	121
3"	ANSI 150	.75	19	4	6.00	152
4"	ANSI 150	.75	19	8	7.50	191
6"	ANSI 150	.88	22	8	9.50	241
8"	ANSI 150	.88	22	8	11.75	298
10"	ANSI 150	1.00	25	12	14.25	362
12"	ANSI 150	1.00	25	12	17.00	432
14"	ANSI 150	1.13	29	12	18.75	476
16"	ANSI 150	1.13	29	16	21.25	540
18"	ANSI 150	1.25	32	16	22.75	578
20"	ANSI 150	1.25	32	20	25.00	635
24"	ANSI 150	1.38	35	20	29.50	749
30"	CLASS 150	.88	22	44	33.31	846
36"	CLASS 150	1.00	25	44	39.75	1010

SIZE	FLANGE DRILLING	HOLE DIA.		TAPPED HOLE	NO. OF HOLES	BOLT CIRCLE DIA.	
		in	mm			in	mm
1"	JIS 10K	.75	19	M16 x 2.0-6H	4	3.54	90
2"	JIS 10K	.75	19	M16 x 2.0-6H	4	4.72	120
3"	JIS 10K	.75	19	M16 x 2.0-6H	8	5.91	150
4"	JIS 10K	.75	19	M16 x 2.0-6H	8	6.89	175
6"	JIS 10K	.91	23	M20 x 2.5-6H	8	9.45	240
8"*	JIS 10K	.91	23	M20 x 2.5-6H	12	11.42	290
10"*	JIS 10K	.98	25	M22 x 2.5-6H	12	13.98	355
12"*	JIS 10K	.98	25	M22 x 2.5-6H	16	15.75	400

\* NOT APPLICABLE TO 7658A

SIZE	FLANGE DRILLING	HOLE DIA.		TAPPED HOLE	NO. OF HOLES	BOLT CIRCLE DIA.	
		in	mm			in	mm
1"	PN 10	.55	14	M12 x 1.75-6H	4	3.35	85
2"	PN 10	.71	18	M16 x 2.0-6H	4	4.92	125
3"	PN 10	.71	18	M16 x 2.0-6H	8	6.30	160
4"	PN 10	.71	18	M16 x 2.0-6H	8	7.09	180
6"	PN 10	.87	22	M20 x 2.5-6H	8	9.45	240
8"*	PN 10	.87	22	M20 x 2.5-6H	8	11.61	295
10"*	PN 10	.87	22	M20 x 2.5-6H	12	13.78	350
12"*	PN 10	.87	22	M20 x 2.5-6H	12	15.75	400

\* NOT APPLICABLE TO 7658A



SIZE	FLANGE DRILLING	HOLE DIA.		TAPPED HOLE	NO. OF HOLES	BOLT CIRCLE DIA.	
		in	mm			in	mm
1"	PN 16	.55	14	M12 x 1.75-6H	4	3.35	85
2"	PN 16	.71	18	M16 x 2.0-6H	4	4.92	125
3"	PN 16	.71	18	M16 x 2.0-6H	8	6.30	160
4"	PN 16	.71	18	M16 x 2.0-6H	8	7.09	180
6"	PN 16	.87	22	M20 x 2.5-6H	8	9.45	240
8"	PN 16	.87	22	M20 x 2.5-6H	12	11.61	295
10"	PN 16	1.02	26	M24 x 3.0-6H	12	13.98	355
12"	PN 16	1.02	26	M24 x 3.0-6H	12	16.14	410

THIS DRAWING EMBODIES A CONFIDENTIAL PROPRIETARY DESIGN ORIGINATED BY GROTH CORPORATION, AND ALL DESIGN, MANUFACTURING, REPRODUCTION, USE AND SALE RIGHTS, REGARDING THE SAME ARE EXPRESSLY RESERVED. IT IS SUBMITTED UNDER A CONFIDENTIAL RELATIONSHIP FOR A SPECIFIED PURPOSE, AND THE RECIPIENT AGREES BY ACCEPTING THIS DRAWING NOT TO SUPPLY OR DISCLOSE ANY INFORMATION REGARDING IT TO ANY UNAUTHORIZED PERSONS OR TO INCORPORATE IN OTHER PROJECTS ANY SPECIAL FEATURES PECULIAR TO THIS DESIGN. ALL PATENTS RIGHTS HERETO ARE EXPRESSLY RESERVED BY GROTH CORPORATION, 13650 N. PROMENADE, STAFFORD, TEXAS 77477

REV.	DATE	BY	ECN NO.
A	05/29/02	MP	10390



GROTH CORPORATION  
a Continental Disc Company

APPROVED BY:	CHECKED BY:	DWG. NO. : C-92796
DATE:	DATE:	DWN BY: MP

ITEM	DESCRIPTION	STANDARD MATERIALS OF CONSTRUCTION			OPTIONAL FEATURES
		CARBON STL <input type="checkbox"/>	316 SS <input type="checkbox"/>	SPECIAL <input type="checkbox"/>	
1	BASE (1)	CS	316 SS	316SS/HAST	<input type="checkbox"/>
2	GRID, ELEMENT	316 SS	316 SS	316 SS	
3	PLUG, ELEMENT	316 SS	316 SS	316 SS	
4	STUD, ELEMENT	316 SS	316 SS	316 SS	
5	ELEMENT, FLAME	316 SS	316 SS	HAST	
6	HOUSING, ELEMENT	CS	316 SS	316 SS	
7	HANDLE/LIFTING LUG	CS	316 SS	316 SS	
8	PLUG, PIPE	CS	316 SS	316 SS	
9	COUPLING	CS	316 SS	316 SS	
10	SUPPORT, ELEMENT	316 SS	316 SS	316 SS	
11	* GASKET	NON-ASB	NON-ASB	NON-ASB	
12	SPACER	CS	316 SS	316 SS	
13	NUT, SPREADER (HEX)	SS	SS	SS	
14	STUD	SS	SS	SS	
15	NUT, HEX	SS	SS	SS	
16	LOCK WASHER	SS	SS	SS	

\* SPARE PARTS

(1) STANDARD CONSTRUCTION INCLUDES (1) INSTRUMENT CONNECTION AT THE TOP (12:00 O'CLOCK) POSITION OF EACH BASE AND (1) DRAIN CONNECTION AT THE BOTTOM (6:00 O'CLOCK) POSITION OF EACH BASE.

INSTRUMENT & DRAIN CONNECTION SIZES:

3/8" NPT (F) - NOMINAL 6" AND SMALLER ELEMENT HOUSINGS.

1/2" NPT (F) - NOMINAL 8" ELEMENT HOUSING.

1" NPT (F) - NOMINAL 10" AND LARGER ELEMENT HOUSINGS.

OTHER QUANTITIES, LOCATIONS OR SIZE CONNECTIONS ARE OPTIONAL, EXCEPT LARGER CONNECTIONS ARE NOT AVAILABLE ON 6" AND SMALLER HOUSINGS.

DWG. NUMBER:  
BOM NUMBER:

C-91392  
91392BOM.XLS REV B

