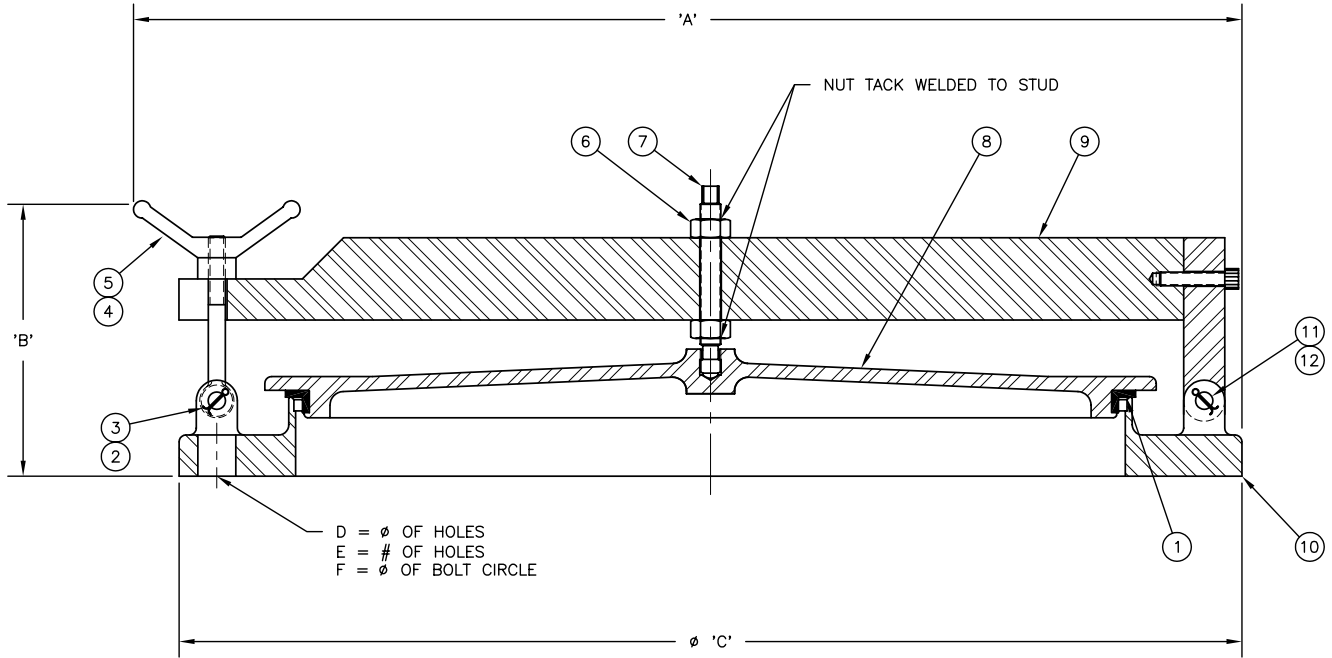


# DESCRIPTION

MODEL 8200  
ROOF MANHOLE COVER



| SIZE | FLANGE DRILLING | A              | B            | C                             | D                          | E  | F                             |
|------|-----------------|----------------|--------------|-------------------------------|----------------------------|----|-------------------------------|
| 30"  | 150 LB          | 40.38 [1025.6] | 9.38 [238.3] | $\phi$ 38.75 [ $\phi$ 984.2]  | $\phi$ 1.38 [ $\phi$ 35.0] | 28 | $\phi$ 36.00 [ $\phi$ 914.4]  |
| 36"  | 150 LB          | 47.75 [1212.8] | 9.38 [238.3] | $\phi$ 46.00 [ $\phi$ 1168.4] | $\phi$ 1.62 [ $\phi$ 41.1] | 32 | $\phi$ 42.75 [ $\phi$ 1085.8] |

## ORDER SPECIFICATIONS

THIS DRAWING EMBODIES A CONFIDENTIAL PROPRIETARY DESIGN ORIGINATED BY GROTH CORPORATION, AND ALL DESIGN, MANUFACTURING, REPRODUCTION, USE AND SALE RIGHTS, REGARDING THE SAME ARE EXPRESSLY RESERVED. IT IS SUBMITTED UNDER A CONFIDENTIAL RELATIONSHIP FOR A SPECIFIC PURPOSE, AND THE RECIPIENT AGREES BY ACCEPTING THIS DRAWING NOT TO SUPPLY OR DISCLOSE ANY INFORMATION REGARDING IT TO ANY UNAUTHORIZED PERSONS OR TO INCORPORATE IN OTHER PROJECTS, ANY SPECIAL FEATURES PECULIAR TO THIS DESIGN. ALL PATENTS RIGHTS HERETO ARE EXPRESSLY RESERVED BY GROTH CORPORATION, 13650 N. PROMENADE, STAFFORD, TX. 77477

| REV. | DATE | BY | ECN NUMBER |
|------|------|----|------------|
|      |      |    |            |
|      |      |    |            |
|      |      |    |            |
|      |      |    |            |
|      |      |    |            |
|      |      |    |            |
|      |      |    |            |



a Continental Disc Company  
13650 N. Promenade Blvd.  
Stafford, Texas  
77477

|                            |                          |                      |
|----------------------------|--------------------------|----------------------|
| APPROVED BY:<br>G. SENTENO | CHECKED BY:<br>R. MATSON | DWG. NO.:<br>A-93968 |
| DATE: 5-4-05               | DATE: 5-3-05             | DWN BY: B. HICKS     |

**MODEL 8200**

**GROTH CORPORATION  
STAFFORD TX, USA  
BILL OF MATERIAL**

| ITEM | DESCRIPTION     | STANDARD MATERIALS OF CONSTRUCTION (1) | OPTIONAL FEATURES (2)    |
|------|-----------------|--|--------------------------|
|      |                 | ALUMINUM<br><input type="checkbox"/>   | <input type="checkbox"/> |
| 1    | * SEAL RING     | BUNA-N                                 | <input type="checkbox"/> |
| 2    | COTTER PIN      | SS                                     | <input type="checkbox"/> |
| 3    | FRONT HINGE PIN | SS                                     | <input type="checkbox"/> |
| 4    | EYE BOLT        | STEEL                                  | <input type="checkbox"/> |
| 5    | HANDLE          | IRON                                   | <input type="checkbox"/> |
| 6    | HEX NUT         | SS                                     | <input type="checkbox"/> |
| 7    | STUD            | SS                                     | <input type="checkbox"/> |
| 8    | COVER           | ALUM                                   | <input type="checkbox"/> |
| 9    | ARM             | ALUM                                   | <input type="checkbox"/> |
| 10   | BODY            | ALUM                                   | <input type="checkbox"/> |
| 11   | HINGE PIN       | SS                                     | <input type="checkbox"/> |
| 12   | COTTER PIN      | SS                                     | <input type="checkbox"/> |

- (1) CHECK BOX FOR MATERIAL SELECTION.
- (2) CHECK OPTIONAL FEATURES BOX WHEN APPLICABLE.
- (3) SPECIFIED BY CUSTOMER.

DWG. NUMBER:  
BOM NUMBER:

A-93968  
93968BOM

REV: I/R  
REV: I/R

