



Performance Under Pressure®

Liberty, Missouri, USA • +1 (816) 792-1500
www.contdisc.com

Rev. AE 102335

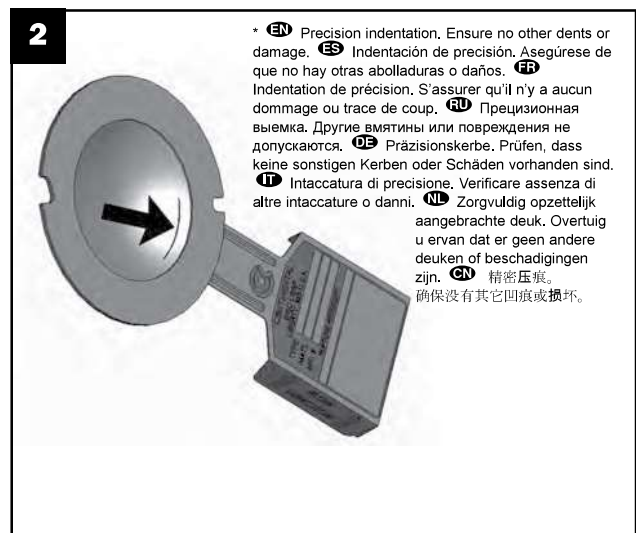
Ref. I.D.: 6209

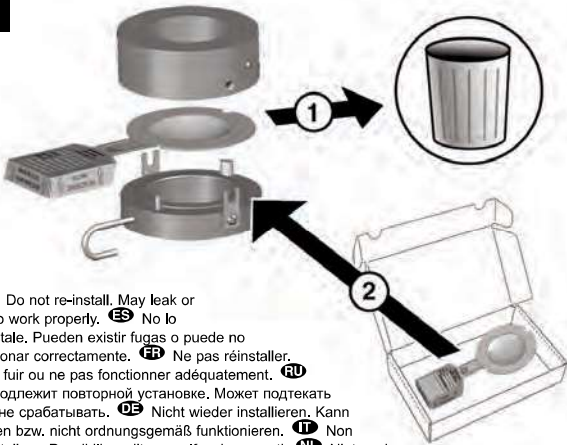
GEP-6013

- EN** Preparation and Installation of the **ULTRX® Rupture Disc Assembly**
- ES** Preparación e instalación del conjunto del disco de ruptura **ULTRX®**
- FR** Préparation et pose de l'ensemble de disque de rupture **ULTRX®**
- RU** Подготовка и установка сборки разрывной мембраны **ULTRX®**
- DE** Vorbereitung und Einbau der **ULTRX®-Berstscheibenbaugruppe**
- IT** Preparazione e installazione del gruppo disco di rottura **ULTRX®**
- NL** Voorbereiding en installatie van de **ULTRX®** barstschijfconstructie
- CN** **ULTRX®** 爆破片总成的准备和安装

- EN** Proper installation and maintenance are essential to the safe and efficient operation of a rupture disc device. Please read and follow all of these instructions. Customer is responsible for these instructions, as well as for the warnings listed on the back pages of these instructions. See rupture disc tag to verify set pressure, operating temperature, and all other operating parameters.
- ES** La instalación y el mantenimiento correctos son requisitos esenciales para el funcionamiento seguro y eficaz de cada sistema con dispositivo de disco de ruptura. Leer y seguir todas estas instrucciones. Consulte la etiqueta del disco de ruptura para verificar la presión establecida, la temperatura de funcionamiento y todos los demás parámetros de funcionamiento.
- FR** La pose et l'entretien adéquats sont essentiels au fonctionnement sûr et efficace d'un système à disque de rupture. Prière de lire et de suivre l'ensemble de ces instructions. Consultez la fiche du disque de rupture pour vérifier la pression spécifique, la température de service et tous les autres paramètres de fonctionnement.
- RU** Правильные установка и профилактическое обслуживание имеют большое значение для безопасной и эффективной эксплуатации устройства с разрывной мембраной. Пожалуйста, прочтите все инструкции и выполняйте их. Смотрите маркировку разрывного диска для проверки заданного давления, рабочей температуры и всех остальных рабочих параметров.

- DE** Richtiger Einbau und gute Instandhaltung sind für den sicheren und effizienten Betrieb jedes Berstscheibensystems unerlässlich. Bitte diese Anleitungen genau lesen und befolgen. Solldruck, Betriebstemperatur und alle anderen Betriebsparameter sind auf dem Anhänger der Berstscheibe angegeben.
- IT** L'installazione e la manutenzione corrette sono essenziali per il funzionamento sicuro ed efficiente di un sistema con disco di rottura. Leggere e seguire tutte le presenti istruzioni. Fare riferimento all'etichetta del disco di rottura per verificare la pressione, la temperatura di funzionamento e tutti gli altri parametri impostati per il funzionamento.
- NL** De juiste installatie en het juiste onderhoud zijn essentieel voor de veilige en efficiënte werking van een apparaat met barstschijf. Lees en volg al deze aanwijzingen op. Raadpleeg het label van de barstschijf om de insteldruk, bedrijfstemperatuur en alle overige bedrijfsparameters te controleren.
- CN** 为保证爆破片装置的操作安全有效，必须进行正确的安装和维护。请阅读并按照下述所有说明进行操作。请参阅爆破片铭牌以确认爆破压力、操作温度及所有其他操作参数。

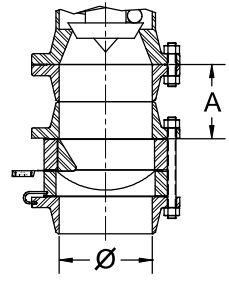


3

EN Do not re-install. May leak or fail to work properly. **ES** No lo reinstale. Pueden existir fugas o puede no funcionar correctamente. **FR** Ne pas réinstaller. Peut fuir ou ne pas fonctionner adéquatement. **RU** Не подлежит повторной установке. Может подтекать или не срабатывать. **DE** Nicht wieder installieren. Kann lecken bzw. nicht ordnungsgemäß funktionieren. **IT** Non reinstallare. Possibili perdite o malfunzionamenti. **NL** Niet opnieuw installeren. Kan lekken of niet behoorlijk werken. **CN** 请勿重复安装。可能泄露或无法正常工作。

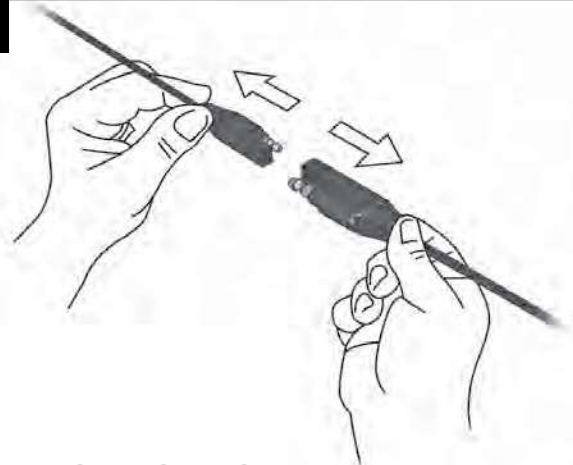
4

EN Spool piece required under relief valve for these sizes: **ES** Pieza de separación necesaria para la válvula de alivio de estos tamaños: **FR** Pièce d'espacement requise sous la soupape de décharge pour ces tailles : **RU** При использовании мембран следующих диаметров требуется установка фланцевой трубной секции под предохранительным клапаном: **DE** Bei folgenden Größen ist ein Schiebereinsatz unter Druckbegrenzungsventil erforderlich. **IT** Raccordo a flange richiesto sotto la valvola di sicurezza per le seguenti dimensioni: **NL** Klosje nodig onder de ontlastklep voor deze maten: **CN** 泄放阀下方需要这些尺寸的芯件：

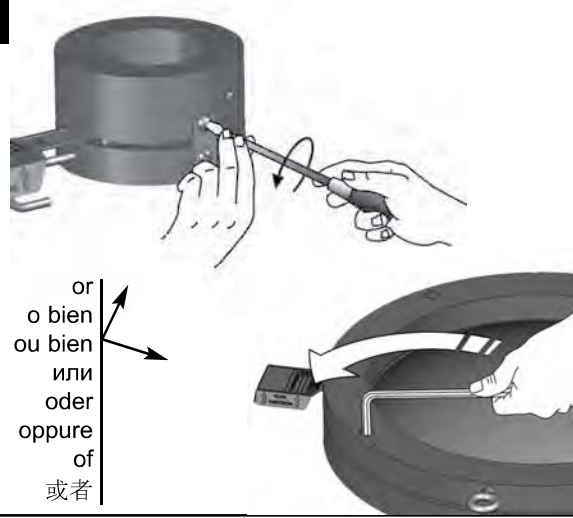


Ø	10" 250mm	12" 300mm
A	5" 125mm	6" 150mm

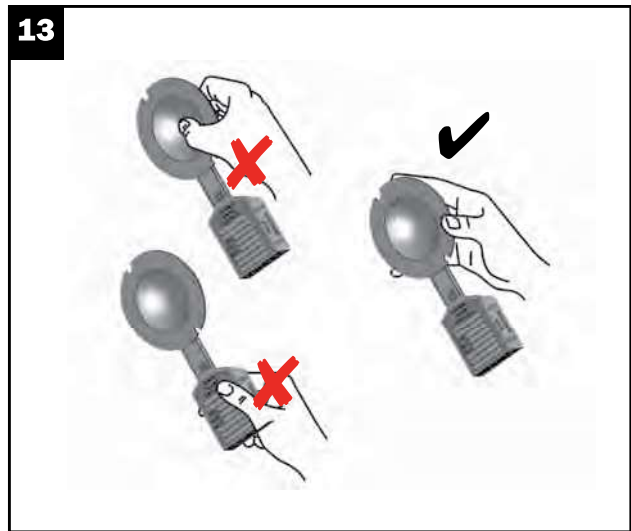
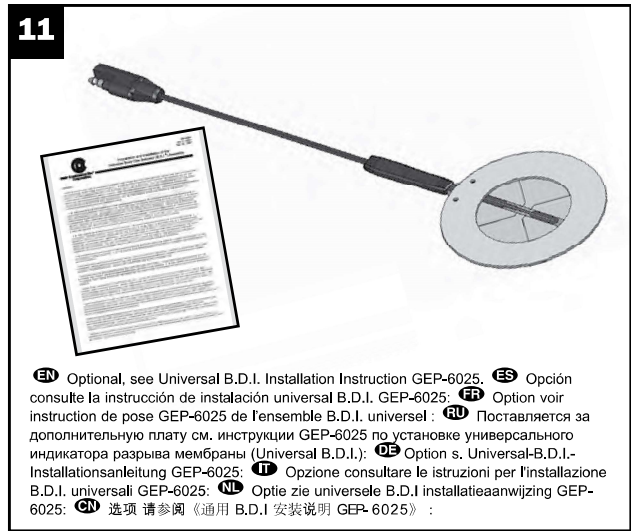
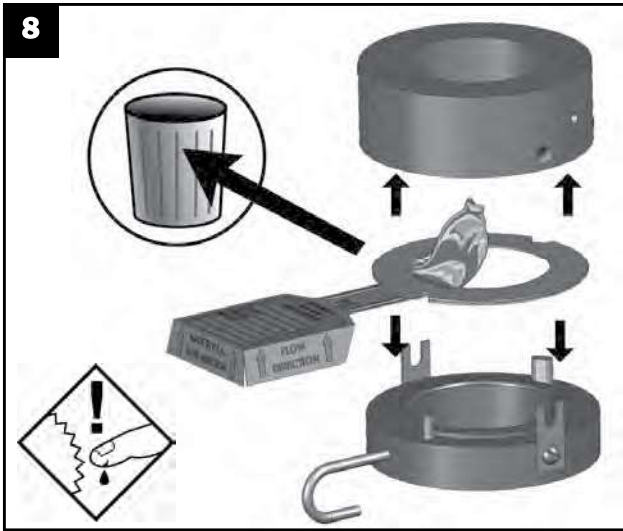
EN If new installation, skip to step 10.
ES Si se trata de una nueva instalación, vaya al paso 10.
FR S'il s'agit d'une nouvelle installation, passer à l'étape 10.
RU Если это не замена, а первая установка, перейдите к операции 10.
DE Falls Neuinstallation, weiter zu Schritt 10.
IT Se si sta procedendo a una nuova installazione, andare al passaggio 10.
NL Indien nieuwe installatie, doorgaan naar stap 10.
CN 如果是新安装，跳至步骤10（step 10）

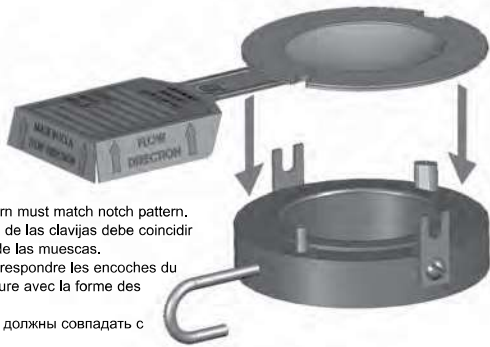
5

EN Optional **ES** Opción **FR** Option **RU** Поставляется за дополнительную плату
DE Option **IT** Opzione **NL** Optie **CN** 选项

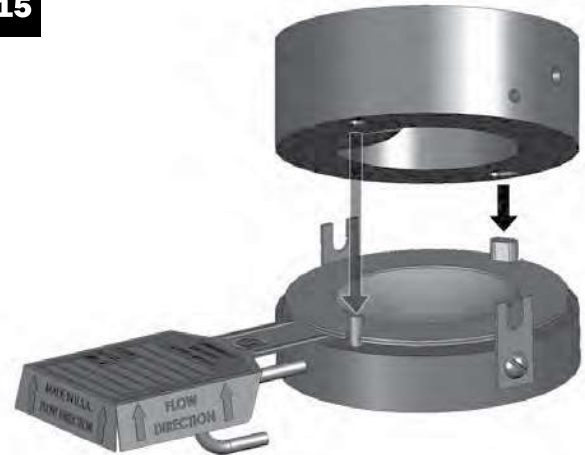
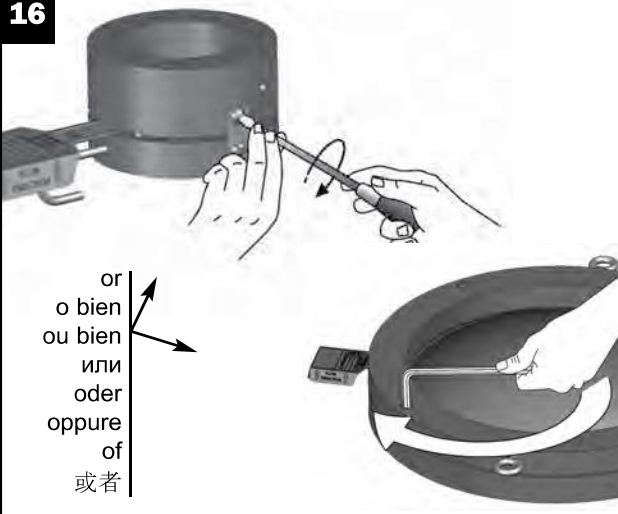
6**7**

or
 o bien
 ou bien
 или
 oder
 oppure
 of
 或者



14

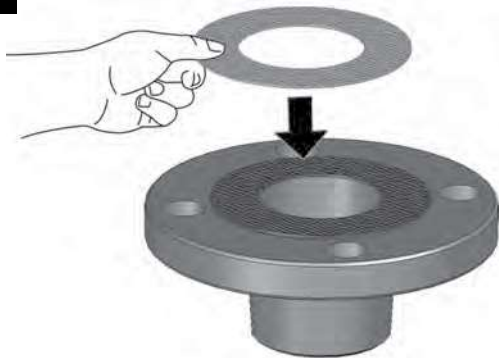
- EN** Pin pattern must match notch pattern.
- ES** El patrón de las clavijas debe coincidir con el patrón de las muescas.
- FR** Faire correspondre les encoches du disque de rupture avec la forme des broches.
- RU** Штифты должны совпадать с вырезами.
- DE** Die Stifte müssen in ihrer Auslegung den Einkerbungen entsprechen.
- IT** La disposizione dei perni deve corrispondere alla disposizione degli intagli.
- NL** Het patroon van de pennen moet overeenkomen met het patroon van de uitsparingen.
- CN** 销钉式样与槽口式样必须匹配。

15**16**

or
o bien
ou bien
или
oder
oppure
of
或者

17

- EN** No rust, corrosion, foreign material.
- ES** No hay óxido, corrosión o materiales extraños.
- FR** Vérifier l'absence de rouille, de corrosion, de corps étrangers.
- RU** Следы ржавчины, коррозии, а также чужеродные материалы не допускаются.
- DE** Weder Rost noch Korrosion oder Fremdkörper.
- IT** Verificare assenza di ruggine, corrosione, corpi estranei.
- NL** Controleer afwezigheid van roest, corrosie, vreemd materiaal.
- CN** 无锈蚀、腐蚀、异物。

18

- EN** Customer supplied
- ES** Suministrada por el cliente
- FR** Fourni par le client
- RU** Поставляется заказчиком
- DE** Vom Kunden bereitgestellt
- IT** Fornita dal cliente
- NL** Door de klant geleverd
- CN** 客户提供的

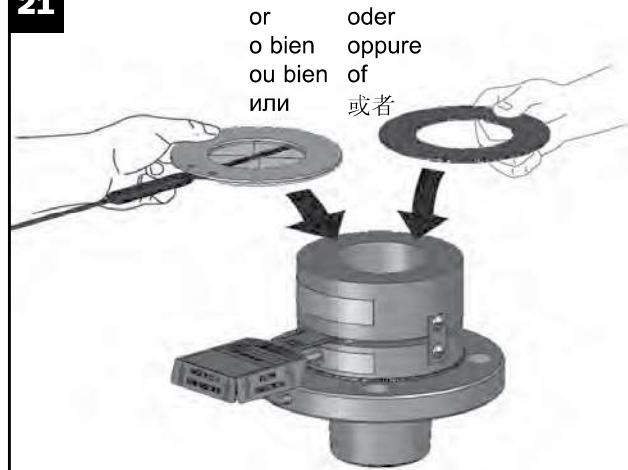
19

20

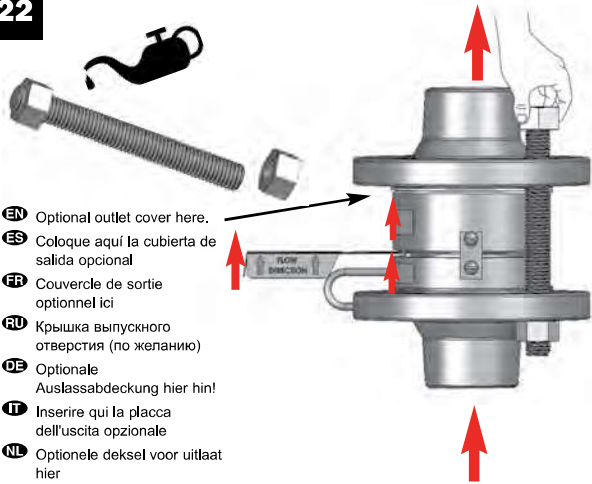


- EN** See J-Hook Installation Guide, GEP-6100.
- ES** Consulte la guía de instalación del corchete en forma de J GEP-6100
- FR** Voir le guide d'installation du crochet en J, GEP-6100
- RU** См. руководство GEP-6100 по установке J-образного крюка
- DE** S. Installationsanleitung für J-förmigen Haken, GEP-6100
- IT** Consultare la guida per l'installazione del gancio a J, GEP-6100
- NL** Zie Installatiegids voor J-haak, GEP-6100
- CN** 请参阅《J-Hook 安装指南, GEP-6100》

21

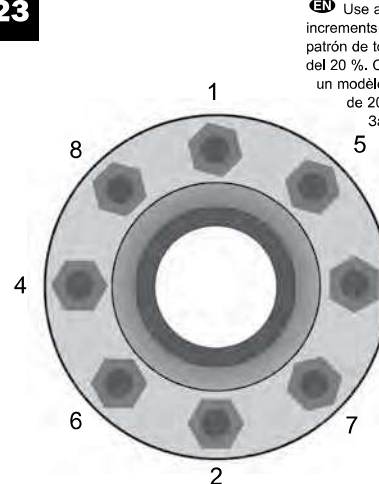


22



- EN** Optional outlet cover here.
- ES** Coloque aquí la cubierta de salida opcional
- FR** Couvercle de sortie optionnel ici
- RU** Крышка выпускного отверстия (по желанию)
- DE** Optionale Auslassabdeckung hier hin!
- IT** Inserire qui la placca dell'uscita opzionale
- NL** Optionele deksel voor uitlaat hier
- CN** 此处有可选择购买的插座盖

23



- EN** Use a cross-torquing pattern in 20% increments. See Table 1.
- ES** Use un patrón de torsión cruzado en incrementos del 20%. Consulte la Tabla 1.
- FR** Utiliser un modèle de serrage croisé en tranches de 20%. Voir Tableau 1.
- RU** Затягивать перекрестно, прикладывая усилие по 20% окончательного момента. См. таблицу 1.
- DE** Kreuzweise in Schritten von jeweils 20% anziehen. S. Tabelle 1.
- IT** Serrare a singoli incrementi del 20%. Vedere la Tabella 1.
- NL** Gebruik een kruisgewijs aandraaipatroon met stappen van 20%. Zie tabel 1.
- CN** 采用交叉扭矩样式，以 20% 递增。请参阅表 1。

24

- EN** Torque values based on gasket materials with:
- ES** Valor de torsión basado en materiales de junta con:
- FR** Les valeurs de couple sont basées sur des matériaux d'étanchéité avec :
- RU** Значения крутящего момента с учетом прокладочного материала:
- DE** Die Drehmomentwerte beruhen auf Dichtungsmaterial mit:
- IT** Valori di serraggio basati su materiali di guarnizione con:
- NL** Aandraaimomenten zijn gebaseerd op pakkingmaterialen met:
- CN** 扭矩值根据使用的密封材料而定 :

Gasket factor / Factor de junta : / Facteur d'étanchéité : / Прокладочный коэффициент : / Dichtungsfaktor : / Fattore guarnizione : / Pakkingfactor : / 密封系数:

2.75

Gasket seating stress / Tensión del asiento de junta / Contrainte de siège de joint / Сдавливающее усилие при посадке прокладки / Dichtungseinpassdruck / Carico sede guarnizione / Spanning van de pakkingzitting / 密封压紧力:

3,700 psi

Stud material per: / Material de perno para: / Matériau de goujons conforme à: / Material резьбовых шпилек по стандарту / Bolzenmaterial gem.: / Materiale bulloni conforme: / Tapboutmateriaal volgens: / 双头螺栓材料依据:

ASME SA193-B7

Nut material per: / Material de tuerca para: / Matériau d'écrous conforme à: / Material гаек по стандарту: / Muttermaterial gem.: / Materiale dadi conforme: / Moermateriaal volgens: / 螺母材料依据:

ASME SA194-2H

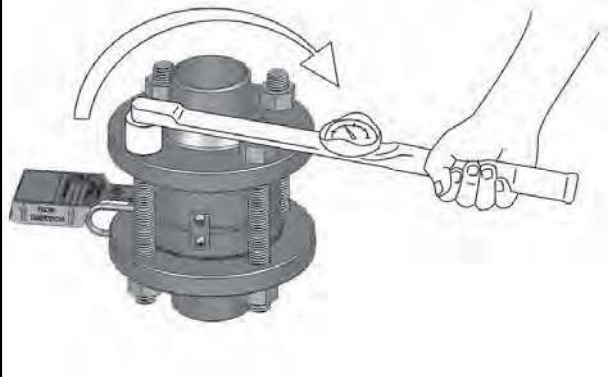
-with stress of up to: / con una carga de hasta: / et résistant à des contraintes pouvant atteindre: / под давлением до: / für Belastung bis: / per carico fino a: / met _____ maximale spanning: / 应力大至:

25,000 psi

EN The use of studs and nuts with lower strength may prove unsatisfactory. **ES** Puede que no resulte efectivo el uso de pernos y tuercas de menor resistencia. **FR** L'utilisation de goujons et d'écrous d'une résistance inférieure peut poser des problèmes. **RU** Применение резьбовых шпилек и гаек меньшей прочности может привести к неудовлетворительным результатам. **DE** Die Verwendung von Bolzen und Muttern mit geringerer Stärke kann zu nachteiligen Ergebnissen führen. **IT** L'uso di bulloni e dadi con resistenza inferiore può risultare insoddisfacente. **NL** Het gebruik van minder sterke tapbouten en moeren kan onbevredigend blijken. **CN** 使用应力较低的双头螺栓和螺母可能效果不佳。

25

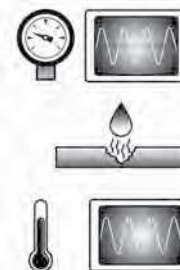
EN Recheck. ES Vuelva a revisar el apriete. FR Révérifier. RU Проверьте затяжку. DE Nachprüfen! IT Ricontrollare il serraggio. NL Opnieuw controleren. CN 重新检查。



26

EN Risk assessment and an annual rupture disc replacement are recommended. ES Se recomienda realizar una evaluación de riesgos y sustituir anualmente el disco de ruptura. FR Une évaluation de risques et le remplacement annuel du disque de rupture sont recommandés. RU Рекомендуется оценивать степень риска и ежегодно заменять разрывную мембрану. DE Es wird empfohlen, eine Risikoprüfung durchzuführen und die Berstscheiben jährlich zu ersetzen. IT Si raccomanda di eseguire la valutazione dei rischi e di sostituire annualmente il disco di rottura. NL Risicobeoordeling en jaarlijkse vervanging van de barstschiif worden aanbevolen. CN 建议执行风险评估并每年更换爆破片。

More often if: Más frecuentemente si: Plus fréquemment si: Чаще в следующих условиях: Öfter, wenn: Più spesso se: Vaker indien: 更经常, 如果:

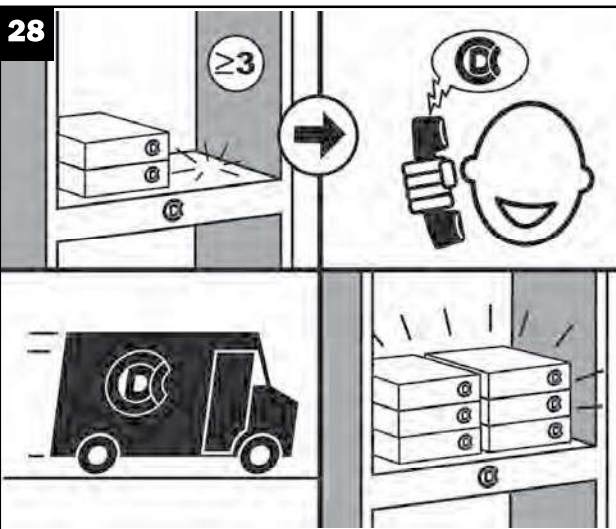


27

EN IF THE RUPTURE DISC IS NOT REPLACED PERIODICALLY WHEN EXPOSED TO THESE CONDITIONS, PREMATURE FAILURE OF THE RUPTURE DISC MAY OCCUR, THEREBY DISCHARGING THE PROCESS MEDIA.

ES SI LOS DISCOS DE RUPTURA NO SE SUSTITUYEN PERIÓDICAMENTE CUANDO SE HAN EXPUESTO A TALES CONDICIONES, PUEDE PRODUCIRSE UNA FALLA PREMATURA DEL DISCO DE RUPTURA, LO QUE RESULTA EN LA EXPULSIÓN DEL MEDIO DE PROCESO. FR SI LE DISQUE DE RUPTURE N'EST PAS REMPLACÉ PÉRIODIQUEMENT LORSQU'IL EST EXPOSÉ À DE TELLES CONDITIONS, UNE DÉFAILLANCE PRÉMATURÉE DU DISQUE RISQUE DE SE PRODUIRE, ENTRAÎNANT UNE DÉCHARGE DU MILIEU UTILISÉ DANS LE PROCÉDÉ. RU БЕЗ ПЕРИОДИЧЕСКОЙ ЗАМЕНЫ РАЗРЫВНОЙ МЕМБРАНЫ В ЭТИХ УСЛОВИЯХ МОЖЕТ ПРОИЗОЙТИ ПРЕЖДЕВРЕМЕННЫЙ РАЗРЫВ МЕМБРАНЫ, ПРИВОДЯЩИЙ К ВЫБРОСУ ТЕХНОЛОГИЧЕСКОЙ СРЕДЫ. DE WENN DIE BERSTSCHIEBE UNTER DIESEN BEDINGUNGEN NICHT IN REGELMÄSSIGEN ABSTÄNDEN ERSETZT WIRD, KANN ES ZU IHREM VORZEITIGEN VERSAGEN UND FOLGLICH ZUM AUSSTRÖMEN VON VERFAHRENSMEDIEN KOMMEN. IT SE IL DISCO DI ROTTURA NON VIENE REGOLARMENTE SOSTITUITO QUANDO SOTTOPOSTO A QUESTE CONDIZIONI, PUÒ VERIFICARSI UN GUASTO PREMATURO DEL DISCO DI ROTTURA, CON CONSEGUENTE FUORIUSCITA DEL MATERIALE DI LAVORAZIONE. NL ALS DE BARSTSCHIIF NIET PERIODIEK WORDT VERVANGEN NA BLOOTSTELLING AAN DEZE OMSTANDIGHEDEN, KAN ZICH VROEGTIJDIG FALEN VAN DE BARSTSCHIIF VOORDOEN, WAARDOOR UITSTROMING VAN DE PROCESMEDIA WORDT VEROORZAAKT. CN 当爆破片暴露于这些环境下时, 如未定期更换, 爆破片可能过早失效, 从而排出加工介质。

28




FULFILLS THE REQUIREMENTS OF DIRECTIVE 2014/34/EU (ATEX) FOR: Equipment or protective system intended for use in potentially explosive atmospheres. Conformity assessment performed by Notified Body no. 0359, Intertek Testing and Certification Limited, Leatherhead, Surrey, UK.

B.D.I. ALARM SYSTEM OPERATING LIMITS

TEMPERATURE: -40° F to + 400° F (-40° C to + 204° C)
MAX CURRENT: 50 Milli Amps
MAX VOLTAGE: 24 VDC

BURST DISC INDICATOR (B.D.I.®): Sizes 25mm through 900mm (1 inch through 36 inches)

Marked:  II 1 G Ex ia IIC Tx Ga
II 1 D Ex ia IIIC Tx Da
I M1 Ex ia I Ma
(Tamb = -40° C ≤ Ta ≤ +204° C)

EC Type Examination Certificate: ITS13ATEX27734X

THE MAXIMUM INTRINSICALLY SAFE INPUT PARAMETERS ARE AS FOLLOWS:

Ui = 24V dc
Ii = 50 mA
Pi = 0.3W

THE EQUIVALENT PARAMETERS ARE:

Ci = 0
Li = 0

SPECIAL CONDITIONS FOR SAFE USE:

1. Temperature Class of the BDI sensor is marked as Tx, since the surface temperature is controlled by the process temperature being monitored. The sensor itself exhibits negligible temperature rise.
2. When located in an area requiring EPL Ga / Category 1G (e.g. Zone 0) hazardous area, the user shall ensure that electrostatic charging of the non-metallic parts cannot occur.
3. When provided with terminations by means of flying leads, these shall be terminated in an appropriately protected terminal box.
4. When installed, the BDI strip shall be provided with an IP rating of IP20 as a minimum.
5. For Group I applications, the BDI strip and terminations shall be protected to IP54 or better.



TABLE 1

IN	MM	ASME	DIN	JIS	FT•LB	N•m	IN	MM	ASME	DIN	JIS	FT•LB	N•m
1	25	150	--	--	35	47	4	100	150	--	--	65	88
1	25	--	10/16	--	33	45	4	100	--	10/16	10	66	89
1	25	--	--	10/20	44	60	4	100	--	--	16/20	82	111
1	25	300/600	--	--	65	88	4	100	300	--	--	120	163
1	25	--	25/40	--	49	66	4	100	--	25/40	--	126	171
1	25	--	63/100	30/40	66	89	4	100	--	--	30	139	188
1	25	900/1500	--	--	180	244	4	100	600	--	--	180	244
1	25	--	160	--	130	176	4	100	--	--	40	178	241
1	25	--	250	--	162	220							
							6	150	150	--	--	120	163
1-1/2	40	150	--	--	35	47	6	150	--	10/16	10	126	171
1-1/2	40	--	10/16	10/20	44	60	6	150	--	--	16/20	92	125
1-1/2	40	300/600	--	--	120	163	6	150	300	--	--	120	163
1-1/2	40	--	25/40	--	101	137	6	150	--	25/40	--	227	308
1-1/2	40	--	63/100	30/40	126	171	6	150	--	--	30	151	205
1-1/2	40	900/1500	--	--	260	352	6	150	600	--	--	275	373
1-1/2	40	--	160	--	205	278	6	150	--	--	40	260	352
1-1/2	40	--	250	--	246	334							
							8	200	150	--	--	130	176
2	50	150	--	--	65	88	8	200	--	10	--	136	184
2	50	--	10/16	10	66	89	8	200	--	16	10	91	123
2	50	--	--	16/20	33	45	8	200	--	--	16/20	100	136
2	50	300/600	--	--	65	88	8	200	300	--	--	180	244
2	50	--	25/40	--	131	178	8	200	--	25	30	194	263
2	50	--	--	30/40	66	89	8	200	--	40	--	219	297
2	50	--	63	--	164	222							
2	50	--	100	--	197	267	10	250	150	--	--	185	251
2	50	900/1500	--	--	180	244	10	250	--	10	--	166	225
2	50	--	160	--	389	527	10	250	--	--	10	183	248
2	50	--	250	--	194	263	10	250	--	16	16/20	200	271
							10	250	300	--	--	275	373
3	80	150	--	--	65	88	10	250	--	25	--	390	529
3	80	--	10/16	10	33	45	10	250	--	40	30	433	587
3	80	--	--	16/20	41	56							
3	80	300/600	--	--	120	163	12	300	150	--	--	185	251
3	80	--	25/40	--	101	137	12	300	--	10	--	166	225
3	80	--	63	30/40	126	171	12	300	--	--	10	137	186
3	80	--	100	--	151	205	12	300	--	16	--	200	271
3	80	900	--	--	180	244	12	300	--	--	16/20	150	203
3	80	--	160	--	194	263	12	300	300	--	--	375	508
							12	300	--	25	--	354	480
							12	300	--	--	30	394	534

EN WARNING

The complete English language version is the official Continental Disc Corporation version of these instructions.

USER SHOULD READ AND THOROUGHLY UNDERSTAND THESE INSTRUCTIONS BEFORE INSTALLING RUPTURE DISC. THESE INSTRUCTIONS DO NOT PURPORT TO ADDRESS ALL OF THE SAFETY FACTORS ASSOCIATED WITH THE RUPTURE DISC'S USE IN SERVICE. IT IS THE RESPONSIBILITY OF THE USER TO ESTABLISH APPROPRIATE SAFETY, HEALTH, AND TRAINING MEASURES FOR THEIR PERSONNEL INSTALLING, SERVICING, OR WORKING IN AN AREA WHERE RUPTURE DISC ASSEMBLIES ARE IN USE. SERVICE AND/OR MAINTENANCE ON OR AROUND THE RUPTURE DISC DEVICE MUST NOT BE PERFORMED WHILE THE DEVICE IS SUBJECTED TO OPERATING PRESSURES AND/OR TEMPERATURES.

IT IS THE USER'S SOLE RESPONSIBILITY FOR DESIGN AND PLACEMENT OF RUPTURE DISCS WITHIN THEIR FACILITY AND UPON THE EQUIPMENT UPON WHICH THE RUPTURE DISC OF USER'S SELECTION IS TO BE LOCATED. IT IS USER'S SOLE RESPONSIBILITY FOR THE DESIGN OF ADEQUATE VENTING AND INSTALLATION OF ADEQUATE VENT PIPING OR DIRECTIONAL FLOW AFTER RUPTURE OCCURS WITH THE RUPTURE DISC AS INTENDED. WHEN SIZE IS SPECIFIED, CONTINENTAL DISC CORPORATION ASSUMES THAT ADEQUATE PROVISIONS HAVE BEEN MADE BY PURCHASER FOR PROPER VENTING OF A SYSTEM TO RELIEVE THE SPECIFIC PRESSURE. LOCATE RUPTURE DISC WHERE PEOPLE OR PROPERTY WILL NOT BE EXPOSED TO THE SYSTEM DISCHARGE IN CASE OF RUPTURE. VENT TOXIC OR FLAMMABLE FUMES OR LIQUIDS TO A SAFE LOCATION TO PREVENT PERSONAL INJURY OR PROPERTY DAMAGE.

IT IS THE USER'S SOLE RESPONSIBILITY TO SPECIFY THE BURST PRESSURE RATING OF A RUPTURE DISC AT A COINCIDENT TEMPERATURE AT WHICH THE RUPTURE DISC IS TO BE USED. A RUPTURE DISC IS A TEMPERATURE SENSITIVE DEVICE. THE BURST PRESSURE OF THE RUPTURE DISC IS DIRECTLY AFFECTED BY ITS EXPOSURE TO THE COINCIDENT TEMPERATURE. GENERALLY, AS THE TEMPERATURE AT THE RUPTURE DISC INCREASES, THE BURST PRESSURE DECREASES; INVERSELY, AS THE TEMPERATURE AT THE RUPTURE DISC DECREASES, THE BURST PRESSURE MAY INCREASE. FAILURE TO PROPERLY UTILIZE A RUPTURE DISC AT THE SPECIFIED COINCIDENT TEMPERATURE COULD CAUSE PREMATURE FAILURE OR OVERPRESSURIZATION OF A SYSTEM.

THE INSTANTANEOUS RELEASE OF PRESSURE FROM THE RUPTURE DISC CAN CREATE VIOLENT NOISES DUE TO THE DISCHARGE AT SONIC VELOCITY. IT IS THE USER'S SOLE RESPONSIBILITY TO PROTECT AGAINST HEARING DAMAGE TO ANY BYSTANDERS.

RUPTURE DISCS AND TAGS ARE MADE OF METAL FOILS OF VARYING THICKNESS. THE METAL EDGES MAY BE SHARP. PERSONNEL INSTALLING OR EXAMINING THE RUPTURE DISCS SHOULD PROTECT AGAINST CUTS OR INJURY WHEN HANDLING THE RUPTURE DISC. DO NOT LIFT A RUPTURE DISC BY ITS ATTACHED TAG.

PARTICLES MAY BE DISCHARGED WHEN THE RUPTURE DISC RUPTURES. THESE PARTICLES MAY BE PART OF THE RUPTURE DISC ITSELF, OR OTHER ENVIRONMENTAL MATTER IN THE SYSTEM. IT IS THE USER'S SOLE RESPONSIBILITY TO ASSURE THAT THESE PARTICLES ARE DIRECTED TO A SAFE AREA TO PREVENT PERSONAL INJURY OR PROPERTY DAMAGE.

THERE IS NO GUARANTEE OF RUPTURE DISC LIFE. SUCH LIFE SPAN IS AFFECTED BY CORROSION, CREEP AND FATIGUE, AND PHYSICAL DAMAGE. THESE CONDITIONS WILL DERATE THE RUPTURE DISC TO A LOWER SET PRESSURE. THE CUSTOMER AND/OR USER SHOULD BE PREPARED TO HANDLE PREMATURE FAILURE OF THE RUPTURE DISC. THE MEDIA OR OTHER ENVIRONMENTAL CONDITIONS SHOULD NOT ALLOW ANY BUILDUP OR SOLIDIFICATION OF MEDIA TO OCCUR ON A RUPTURE DISC. THIS MAY INCREASE THE PRESSURE SETTING OF THE RUPTURE DISC.

CUSTOMER AND/OR ITS INSTALLER SHALL BE SOLELY RESPONSIBLE FOR THE PROPER INSTALLATION OF SELLER'S HOLDERS AND RUPTURE DISCS INTO A SYSTEM. CUSTOMER AND/OR ITS INSTALLER SHALL BE SOLELY RESPONSIBLE FOR IMPROPER INSTALLATION AND PHYSICAL DAMAGE RESULTING THEREFROM, INCLUDING BUT NOT LIMITED TO, DAMAGE RESULTING FROM LEAKAGE, IMPROPER TORQUING OR SEATING OF A RUPTURE DISC OR FAILURE TO FOLLOW INSTALLATION INSTRUCTIONS WHERE PROVIDED.

RUPTURE DISCS ARE PRECISION SAFETY DEVICES AND MUST BE INSTALLED PROPERLY. RUPTURE DISCS MUST BE INSTALLED BY TRAINED, KNOWLEDGEABLE INSTALLERS AND ONLY WITHIN ENVIRONMENTS SUITABLE AND APPROPRIATE FOR A RUPTURE DISC. CARE MUST BE USED IN A FACILITY'S DESIGN TO PROTECT BOTH THE RUPTURE DISC FROM INADVERTENT DAMAGE WHICH COULD CAUSE ITS PREMATURE RELEASE AND TO PROTECT INDIVIDUALS EXPOSED TO HAZARDS CREATED BY SUCH SUDDEN RELEASE.

PROPER INSTALLATION OF A RUPTURE DISC IS CRITICAL TO PERFORMANCE AND TO SAFETY. FAILURE TO PROVIDE PROPER SEATING OF A RUPTURE DISC MAY AFFECT RUPTURE DISC PERFORMANCE, BURST PRESSURE ACCURACY AND MAY RESULT IN ITS PREMATURE FAILURE.

ES ADVERTENCIA

La versión completa en inglés es la versión oficial de estas instrucciones de Continental Disc Corporation.

ANTES DE INSTALAR EL DISCO DE RUPTURA EL USUARIO DEBERÁ LEER Y ENTENDER COMPLETAMENTE ESTAS INSTRUCCIONES. ESTAS INSTRUCCIONES NO ESTÁN DISEÑADAS PARA ABORDAR TODOS LOS FACTORES DE SEGURIDAD ASOCIADOS CON EL USO DEL DISCO DE RUPTURA. EL USUARIO TIENE LA RESPONSABILIDAD DE ESTABLECER LAS MEDIDAS DE SEGURIDAD, SALUD Y FORMACIÓN APROPIADAS PARA EL PROPIO PERSONAL ENCARGADO DE LA INSTALACIÓN, REPARACIÓN Y MANTENIMIENTO QUE TRABAJE EN UN ÁREA DONDE SE USEN CONJUNTOS DE DISCOS DE RUPTURA. NO SE DEBEN EFECTUAR REPARACIONES NI TAREAS DE MANTENIMIENTO EN O CERCA DEL DISCO DE RUPTURA MIENTRAS TAL DISPOSITIVO ESTÉ SUJETO A PRESIONES Y/O TEMPERATURAS DE OPERACIÓN.

EL USUARIO TIENE LA RESPONSABILIDAD EXCLUSIVA DE DISEÑO Y UBICACIÓN DE

LOS DISCOS DE RUPTURA DENTRO DE LA PROPIA PLANTA, ASÍ COMO DEL EQUIPO DONDE SE INSTALARÁN LOS DISCOS DE RUPTURA SELECCIONADOS POR EL USUARIO. TRAS LA RUPTURA DEL DISCO, EL USUARIO TIENE LA RESPONSABILIDAD EXCLUSIVA DE DISEÑAR UN SISTEMA DE VENTILACIÓN ADECUADO, ASÍ COMO DE INSTALAR TUBERÍAS DE VENTILACIÓN O FLUJO DIRECCIONAL CORRECTOS PARA EL DISCO EN CUESTIÓN. CUANDO EL TAMAÑO VIENE ESPECIFICADO, CONTINENTAL DISC CORPORATION ASUME QUE EL COMPRADOR HA ADOPTADO TODAS LAS MEDIDAS PERTINENTES PARA CONTAR CON UN SISTEMA DE VENTILACIÓN APROPIADO QUE PERMITA LIBERAR LA PRESIÓN ESPECÍFICA. COLOQUE EL DISCO DE RUPTURA EN UN LUGAR DONDE LAS PERSONAS Y LA PROPIEDAD NO QUEDEN EXPUESTAS A LA DESCARGA DEL SISTEMA EN CASO DE RUPTURA. EVACÚE LOS VAPORES Y LÍQUIDOS TÓXICOS O INFLAMABLES HACIA UN LUGAR SEGURO A FIN DE EVITAR LESIONES O DAÑOS MATERIALES.

EL USUARIO TIENE LA RESPONSABILIDAD EXCLUSIVA DE ESPECIFICAR LA PRESIÓN NOMINAL DE ESTALLIDO DE UN DISCO DE RUPTURA A LA TEMPERATURA COINCIDENTE A LA CUAL SE USARÁ EL DISCO. UN DISCO DE RUPTURA ES UN DISPOSITIVO SENSIBLE A LA TEMPERATURA. LA PRESIÓN DE ESTALLIDO DEL DISCO DE RUPTURA SE VE AFECTADA DIRECTAMENTE POR LA EXPOSICIÓN A LA TEMPERATURA COINCIDENTE. EN GENERAL, A MEDIDA QUE LA TEMPERATURA JUNTO AL DISCO AUMENTA, LA PRESIÓN DE ESTALLIDO DISMINUYE; INVERSAMENTE, A MEDIDA QUE LA TEMPERATURA JUNTO AL DISCO DISMINUYE, LA PRESIÓN DE ESTALLIDO PUEDE AUMENTAR. LA UTILIZACIÓN INCORRECTA DE UN DISCO DE RUPTURA A LA TEMPERATURA COINCIDENTE ESPECIFICADA PUEDE HACER FALLAR EL DISCO PREMATURAMENTE O PRESURIZAR EXCESIVAMENTE UN SISTEMA.

LA LIBERACIÓN INSTANTÁNEA DE LA PRESIÓN DESDE EL DISCO DE RUPTURA PUEDE ORIGINAR RUIDOS VIOLENTOS, YA QUE LA DESCARGA SE PRODUCE A VELOCIDAD SÓNICA. EL USUARIO TIENE LA RESPONSABILIDAD EXCLUSIVA DE OFRECER PROTECCIÓN AUDITIVA A LAS PERSONAS QUE SE ENCUENTREN EN LAS INMEDIACIONES.

LOS DISCOS DE RUPTURA Y LAS PLACAS DE IDENTIFICACIÓN ESTÁN HECHOS DE LÁMINAS METÁLICAS DE DIVERSOS ESPESORES. LOS BORDES METÁLICOS PUEDEN SER AFILADOS. EL PERSONAL ENCARGADO DE MANIPULAR LOS DISCOS DEBE USAR PROTECCIÓN CONTRA CORTES O LESIONES AL INSTALARLOS O EXAMINARLOS. NO LEVANTE EL DISCO POR LA PLACA DE IDENTIFICACIÓN AFIJADA.

AL ESTALLAR EL DISCO PUEDE PRODUCIRSE UN LANZAMIENTO DE PARTÍCULAS. DICHAS PARTÍCULAS PUEDEN FORMAR PARTE DEL DISCO PROPIAMENTE O PROVENIR DE OTRA MATERIA DEL SISTEMA. EL USUARIO TIENE LA RESPONSABILIDAD EXCLUSIVA DE ASEGURARSE DE QUE DICHAS PARTÍCULAS SEAN DIRIGIDAS HACIA UN ÁREA SEGURA A FIN DE EVITAR LESIONES O DAÑOS MATERIALES.

NO SE OFRECEN GARANTÍAS RESPECTO A LA VIDA ÚTIL DE LOS DISCOS DE RUPTURA. LA VIDA ÚTIL DE LOS DISCOS SE VE AFECTADA POR LA CORROSIÓN, EL DESLIZAMIENTO Y LA FATIGA, Y POR EL DAÑO FÍSICO. ESTAS CONDICIONES REDUCIRÁN LA PRESIÓN DE RESPUESTA DEL DISCO DE RUPTURA A UN NIVEL MÁS BAJO. EL CLIENTE Y/O EL USUARIO DEBE ESTAR PREPARADO PARA AFRONTAR DEFECTOS PREMATUREOS DEL DISCO DE RUPTURA. LOS MEDIOS DEL PROCESO U OTRAS CONDICIONES AMBIENTALES NO DEBEN PERMITIR QUE DICHOS MEDIOS SE ACUMULEN O SOLIDIFIQUEN EN EL DISCO DE RUPTURA. ELLO PUEDE AUMENTAR EL NIVEL DE PRESIÓN DE RESPUESTA DEL DISCO.

EL CLIENTE Y/O EL INSTALADOR TIENEN LA RESPONSABILIDAD EXCLUSIVA DE INSTALAR CORRECTAMENTE EN UN SISTEMA LOS PORTADISCOS Y DISCOS DEL VENDEDOR. EL CLIENTE Y/O EL INSTALADOR DEBEN RESPONSABILIZARSE EXCLUSIVAMENTE POR TODA INSTALACIÓN INCORRECTA Y LOS DAÑOS FÍSICOS RESULTANTES, INCLUYENDO, PERO NO DE MANERA LIMITADA, LOS DAÑOS CAUSADOS, ENTRE OTROS, POR FUGAS, TORSIÓN O ASENTAMIENTO INCORRECTOS DEL DISCO DE RUPTURA O POR NO SEGUIR LAS INSTRUCCIONES SI Y DONDE SE HAN PROPORCIONADAS.

LOS DISCOS DE RUPTURA SON DISPOSITIVOS DE PRECISIÓN Y DE SEGURIDAD QUE DEBEN INSTALARSE CORRECTAMENTE. LOS DISCOS DE RUPTURA DEBEN SER INSTALADOS POR PERSONAL CAPACITADO Y SÓLO EN ENTORNOS APTOS Y APROPIADOS PARA TALES DISPOSITIVOS. AL DISEÑARSE UNA PLANTA SE DEBE TENER CUIDADO TANTO PARA PROTEGER EL DISCO DE RUPTURA DE DAÑOS ACCIDENTALES, QUE PUEDEN CAUSAR SU LIBERACIÓN PREMATUREA, COMO PARA PROTEGER A LAS PERSONAS EXPUESTAS A LOS PELIGROS QUE IMPLICA DICHA LIBERACIÓN REPENTINA.

LA INSTALACIÓN CORRECTA DEL DISCO DE RUPTURA ES UN FACTOR CRÍTICO PARA OBTENER UN RENDIMIENTO Y SEGURIDAD ÓPTIMOS. EL ASENTAMIENTO INCORRECTO DEL DISCO DE RUPTURA PUEDE AFECTAR SU RENDIMIENTO Y LA PRECISIÓN DE LA PRESIÓN DE ESTALLIDO, Y PROVOCAR FALLOS PREMATUREOS.

LA INSTALACIÓN Y EL MANTENIMIENTO CORRECTOS SON REQUISITOS ESENCIALES PARA EL FUNCIONAMIENTO SEGURO Y EFICAZ DE CADA DISPOSITIVO DE DISCO DE RUPTURA. LEER Y SEGUIR TODAS ESTAS INSTRUCCIONES. EL CLIENTE TIENE LA RESPONSABILIDAD DE SEGUIR ESTAS INSTRUCCIONES Y LAS ADVERTENCIAS LISTADAS EN LAS PÁGINAS FINALES DE ESTAS INSTRUCCIONES.

FR AVERTISSEMENT

La version complète en langue anglaise constitue la version officielle de Continental Disc Corporation des présentes instructions.

L'UTILISATEUR DOIT LIRE ET COMPRENDRE PARFAITEMENT CES INSTRUCTIONS AVANT DE POSER LE DISQUE DE RUPTURE. CES INSTRUCTIONS NE VISENT PAS À ABOARDER L'ENSEMBLE DES FACTEURS DE SÉCURITÉ LIÉS À L'UTILISATION DU DISQUE DE RUPTURE EN SERVICE. IL INCOMBE À L'UTILISATEUR D'ÉTABLIR DES MESURES APPROPRIÉES DE SÉCURITÉ, DE SANTÉ ET DE FORMATION POUR SES EMPLOYÉS QUI INSTALLENT, ENTRETIENNENT OU TRAVAILLENT LÀ OÙ DES ENSEMBLES DE DISQUE DE RUPTURE SONT EN USAGE. IL NE DOIT Y AVOIR AUCUN SERVICE ET/OU ENTRETIEN SUR LE DISPOSITIF DE DISQUE DE RUPTURE OU AUTOUR DE CELUI-CI ALORS QUE LE DISPOSITIF EST SOUMIS À DES PRESSIONS ET/OU TEMPÉRATURES DE SERVICE.

L'UTILISATEUR EST EXCLUSIVEMENT RESPONSABLE DE LA CONCEPTION ET DU

ПЛАЦЕМЕНТ DES DISQUES DE RUPTURE DANS SON ÉTABLISSEMENT ET SUR LE MATÉRIEL SUR LEQUEL LE DISQUE DE RUPTURE DU CHOIX DE L'UTILISATEUR DOIT ÊTRE PLACÉ. L'UTILISATEUR EST EXCLUSIVEMENT RESPONSABLE DE LA CONCEPTION D'UNE MISE À L'AIR LIBRE ADÉQUATE ET DE LA POSE D'UNE TUYAUTERIE ADÉQUATE DE MISE À L'AIR OU DE L'AMÉNAGEMENT D'UN ÉCOULEMENT DIRECTIONNEL ADÉQUAT APRÈS LA RUPTURE DU DISQUE DE RUPTURE COMME PRÉVU, LORSQUE LA DIMENSION EST SPÉCIFIÉE, CONTINENTAL DISC CORPORATION PRÉSUME QUE L'ACHETEUR A PRIS DES MESURES ADÉQUATES POUR UNE MISE À L'AIR LIBRE APPROPRIÉE D'UN SYSTÈME AFIN DE DÉLESTER LA PRESSION SPÉCIFIQUE. PLACER LE DISQUE DE RUPTURE LÀ OÙ DES PERSONNES OU DES BIENS NE SERONT PAS EXPOSÉS À LA DÉCHARGE DU SYSTÈME EN CAS DE RUPTURE, ÉVACUER LES GAZ OU LIQUIDES TOXIQUES OU INFLAMMABLES VERS UN LIEU SÛR AFIN DE PRÉVENIR LES BLESSURES CORPORELLES OU LES DOMMAGES MATÉRIELS.

IL INCOMBE EXCLUSIVEMENT À L'UTILISATEUR DE PRÉCISER LA PRESSION DE RUPTURE NOMINALE D'UN DISQUE DE RUPTURE À LA TEMPÉRATURE À LAQUELLE LE DISQUE DE RUPTURE DOIT ÊTRE UTILISÉ. UN DISQUE DE RUPTURE EST UN DISPOSITIF SENSIBLE À LA TEMPÉRATURE. LA PRESSION DE RUPTURE DU DISQUE DE RUPTURE EST SOUS L'INFLUENCE DIRECTE DE SON EXPOSITION À LA TEMPÉRATURE À LAQUELLE IL EST UTILISÉ. EN RÉGLE GÉNÉRALE, LA PRESSION DE RUPTURE DIMINUE À MESURE QU'AugMENTE LA TEMPÉRATURE AU NIVEAU DU DISQUE DE RUPTURE ; À L'INVERSE, LA PRESSION DE RUPTURE PEUT AUGMENTER À MESURE QUE LA TEMPÉRATURE DIMINUE AU NIVEAU DU DISQUE DE RUPTURE. LE DÉFAUT D'UTILISER ADÉQUATEMENT UN DISQUE DE RUPTURE À LA TEMPÉRATURE DE SERVICE COÏNCIDENTE SPÉCIFIÉE POURRAIT CAUSER UNE DÉFAILLANCE PRÉMATURÉE OU LA SURPRESSURISATION D'UN SYSTÈME.

LE DÉLESTAGE INSTANTANÉ DE PRESSION DEPUIS LE DISQUE DE RUPTURE PEUT CRÉER DES BRUITS VIOLENTS ATTRIBUABLES À LA DÉCHARGE À LA VITESSE DU SON. IL INCOMBE EXCLUSIVEMENT À L'UTILISATEUR D'ASSURER UNE PROTECTION CONTRE LES DOMMAGES AUDITIFS DE TOUTE PERSONNE PRÉSENTE.

LES DISQUES DE RUPTURE ET LES ÉTIQUETTES SONT FAITS DE FEUILLES MÉTALLIQUES DE DIFFÉRENTES ÉPAISSEURS. LES BORDS MÉTALLIQUES PEUVENT ÊTRE COUPANTS. LES EMPLOYÉS QUI POSENT OU EXAMINENT LES DISQUES DE RUPTURE DOIVENT SE PROTÉGER CONTRE LES COUPURES OU LES BLESSURES EN MANIPULANT LE DISQUE DE RUPTURE. NE PAS LEVER UN DISQUE DE RUPTURE PAR L'ÉTIQUETTE QUI Y EST FIXÉE.

DES PARTICULES PEUVENT ÊTRE DÉCHARGÉES LORS DE LA RUPTURE DU DISQUE DE RUPTURE. CES PARTICULES PEUVENT FAIRE PARTIE DU DISQUE DE RUPTURE LUI-MÊME OU D'AUTRE MATIÈRE ENVIRONNEMENTALE DU SYSTÈME. IL INCOMBE EXCLUSIVEMENT À L'UTILISATEUR DE S'ASSURER QUE CES PARTICULES SONT DIRIGÉES VERS UN LIEU SÛR AFIN DE PRÉVENIR LES BLESSURES CORPORELLES OU LES DOMMAGES MATÉRIELS.

IL N'Y A AUCUNE GARANTIE DE DURÉE D'UTILISATION DU DISQUE DE RUPTURE. LA CORROSION, LE FLUAGE ET LA FATIGUE AINSI QUE LES DOMMAGES PHYSIQUES INFLUENT SUR CETTE DURÉE D'UTILISATION. CES CONDITIONS RÉDUISSENT LA VALEUR NOMINALE DU DISQUE DE RUPTURE À UNE PRESSION DE FONCTIONNEMENT PLUS BASSE. LE CLIENT ET/OU L'UTILISATEUR DOIVENT ÊTRE PRÊTS À AFFRONTER UNE DÉFAILLANCE PRÉMATURÉE DU DISQUE DE RUPTURE. LES MÉDIAS OU AUTRES CONDITIONS ENVIRONNEMENTALES NE DOIVENT PERMETTRE AUCUNE ACCUMULATION OU SOLIDIFICATION DE MÉDIA SUR UN DISQUE DE RUPTURE. CECI PEUT AUGMENTER LE RÉGLAGE DE PRESSION DU DISQUE DE RUPTURE.

LE CLIENT ET/OU SON INSTALLATEUR SERONT EXCLUSIVEMENT RESPONSABLES DE L'INSTALLATION APPROPRIÉE DES SUPPORTS ET DISQUES DE RUPTURE DU VENDEUR DANS UN SYSTÈME. LE CLIENT ET/OU SON INSTALLATEUR SERONT EXCLUSIVEMENT RESPONSABLES D'UNE INSTALLATION INAPPROPRIÉE ET DES DOMMAGES PHYSIQUES QUI EN DÉCOULENT, Y COMPRIS, DE MANIÈRE NON LIMITATIVE, LES DOMMAGES RÉSULTANT DE FUITES, DU SERRAGE OU DU CALAGE INAPPROPRIÉ D'UN DISQUE DE RUPTURE OU DU MANQUEMENT À SUIVRE LES INSTRUCTIONS DE POSE LORSQU'ELLES SONT FOURNIES.

LES DISQUES DE RUPTURE SONT DES DISPOSITIFS DE SÉCURITÉ DE PRÉCISION, ET ILS DOIVENT ÊTRE POSÉS ADÉQUATEMENT. LES DISQUES DE RUPTURE DOIVENT ÊTRE POSÉS PAR DES INSTALLATEURS COMPÉTENTS ET FORMÉS ET SEULEMENT DANS DES ENVIRONNEMENTS CONVÉNABLES ET APPROPRIÉS À UN DISQUE DE RUPTURE. DANS LA CONCEPTION D'INSTALLATIONS, ON DOIT VEILLER À PROTÉGER LE DISQUE DE RUPTURE CONTRE DES DOMMAGES ACCIDENTELS QUI POURRAIENT CAUSER SON DÉLESTAGE PRÉMATURÉ AINSI QU'À PROTÉGER LES PERSONNES EXPOSÉES AUX DANGERS CRÉÉS PAR UN DÉLESTAGE SOUDAIN.

LA POSE APPROPRIÉE D'UN DISQUE DE RUPTURE EST ESSENTIELLE À LA PERFORMANCE ET À LA SÉCURITÉ. LE DÉFAUT DE CALER ADÉQUATEMENT UN DISQUE DE RUPTURE PEUT COMPROMETTRE LA PERFORMANCE DU DISQUE DE RUPTURE AINSI QUE L'EXACTITUDE DE LA PRESSION DE RUPTURE, ET PEUT PROVOQUER SA DÉFAILLANCE PRÉMATURÉE.

LA POSE ET L'ENTRETIEN ADÉQUATS SONT ESSENTIELS AU FONCTIONNEMENT SÛR ET EFFICACE D'UN DISQUE DE RUPTURE. PRIÈRE DE LIRE ET DE SUIVRE L'ENSEMBLE DE CES INSTRUCTIONS. LE CLIENT EST RESPONSABLE DE L'OBSERVANCE DE CES INSTRUCTIONS AINSI QUE DES AVERTISSEMENTS FIGURANT SUR LES PAGES ARRIÈRE DE CES INSTRUCTIONS.

RU **ВНИМАНИЕ!**

Официальной версией этих инструкций корпорации Continental Disc являются полный текст инструкций на английском языке.

ПОЛЬЗОВАТЕЛЬ ОБЯЗАН ВНИМАТЕЛЬНО ПРОЧИТАТЬ И ПОНЯТЬ ЭТИ ИНСТРУКЦИИ ПЕРЕД УСТАНОВКОЙ РАЗРЫВНОЙ МЕМБРАНЫ. В ЭТИХ ИНСТРУКЦИЯХ НЕ ПРЕДУСМАТРИВАЮТСЯ ВСЕ ФАКТОРЫ ОБЕСПЕЧЕНИЯ БЕЗОПАСНОСТИ, СВЯЗАННЫЕ С ЭКСПЛУАТАЦИЕЙ РАЗРЫВНОЙ МЕМБРАНЫ. ПОЛЬЗОВАТЕЛЬ НЕСЕТ ОТВЕТСТВЕННОСТЬ ЗА ВНЕДРЕНИЕ НАДЛЕЖАЩИХ МЕР ПО ОБЕСПЕЧЕНИЮ БЕЗОПАСНОСТИ, ОХРАНЕ ЗДОРОВЬЯ И ОБУЧЕНИЮ ПЕРСОНАЛА, УСТАНОВЛИВАЮЩЕГО РАЗРЫВНУЮ МЕМБРАНУ, ПРОИЗВОДЯЩЕГО ЕЕ РЕМОНТ ИЛИ РАБОТАЮЩЕГО НА УЧАСТКЕ, ГДЕ ИСПОЛЬЗУЮТСЯ СБОРКИ РАЗРЫВНЫХ МЕМБРАН. РЕМОНТ И (ИЛИ) ТЕХНИЧЕСКОЕ ОБСЛУЖИВАНИЕ

УСТРОЙСТВ С РАЗРЫВНЫМИ МЕМБРАНАМИ И НАХОДЯЩЕГОСЯ РЯДОМ С НИМИ ОБОРУДОВАНИЮ НЕЛЬЗЯ ВЫПОЛНЯТЬ, КОГДА ТАКИЕ УСТРОЙСТВА ПОДВЕРГАЮТСЯ ВОЗДЕЙСТВИЮ РАБОЧИХ ДАВЛЕНИЙ И (ИЛИ) ТЕМПЕРАТУР.

ПОЛЬЗОВАТЕЛЬ НЕСЕТ ПОЛНУЮ ОТВЕТСТВЕННОСТЬ ЗА ПРОЕКТИРОВАНИЕ И РАЗМЕЩЕНИЕ РАЗРЫВНЫХ МЕМБРАН НА СВОЕМ ПРЕДПРИЯТИИ И В ОБОРУДОВАНИИ, В КОТОРОМ УСТАНОВЛИВАЕТСЯ ВЫБРАННАЯ ПОЛЬЗОВАТЕЛЕМ РАЗРЫВНАЯ МЕМБРАНА. ПОЛЬЗОВАТЕЛЬ НЕСЕТ ПОЛНУЮ ОТВЕТСТВЕННОСТЬ ЗА ПРОЕКТИРОВАНИЕ НАДЛЕЖАЩЕЙ СИСТЕМЫ ВЫПУСКНОЙ ВЕНТИЛЯЦИИ И ЗА УСТАНОВКУ НАДЛЕЖАЩИХ ВЕНТИЛЯЦИОННЫХ ТРУБ, ОБЕСПЕЧИВАЮЩИХ ФОРМИРОВАНИЕ НАДЛЕЖАЩЕГО НАПРАВЛЕННОГО ПОТОКА ПОСЛЕ РАЗРЫВА МЕМБРАНЫ СОГЛАСНО ЕЕ ПРЕДНАЗНАЧЕНИЮ. ЕСЛИ ЗАКАЗЧИК УКАЗЫВАЕТ ДИАМЕТР МЕМБРАНЫ, КОРПОРАЦИЯ CONTINENTAL DISC ДОПУСКАЕТ, ЧТО ЗАКАЗЧИК ОБЕСПЕЧИТ УСЛОВИЯ, НЕОБХОДИМЫЕ ДЛЯ НАДЛЕЖАЩЕЙ ВЫПУСКНОЙ ВЕНТИЛЯЦИИ СИСТЕМЫ, СБРАСЫВАЮЩЕЙ ИЗЫБИТОЧНОЕ УДЕЛЬНОЕ ДАВЛЕНИЕ. УСТАНОВЛИВАЙТЕ РАЗРЫВНУЮ МЕМБРАНУ ТАКИМ ОБРАЗОМ, ЧТОБЫ ВЫБОР ПОТОКА ИЗ СИСТЕМЫ В СЛУЧАЕ РАЗРЫВА МЕМБРАНЫ НЕ СОЗДАВАЛ НИКАКОЙ ОПАСНОСТИ ДЛЯ ЛЮДЕЙ ИЛИ ИМУЩЕСТВА. ОТВОДИТЕ ТОКСИЧНЫЕ ИЛИ ЛЕГКО ВОСПЛАМЕНЯЮЩИЕСЯ ИСПАРЕНИЯ ИЛИ ЖИДКОСТИ В БЕЗОПАСНОМ МЕСТЕ, ИСКЛЮЧАЯ ВОЗМОЖНОСТЬ НАНЕСЕНИЯ ТРАВМ ИЛИ МАТЕРИАЛЬНОГО УЩЕРБА.

ПОЛЬЗОВАТЕЛЬ НЕСЕТ ПОЛНУЮ ОТВЕТСТВЕННОСТЬ ЗА ОПРЕДЕЛЕНИЕ И УКАЗАНИЕ ДАВЛЕНИЯ РАЗРЫВА МЕМБРАНЫ ПРИ РАБОЧЕЙ ТЕМПЕРАТУРЕ, КОТОРАЯ БУДЕТ НАБЛЮДАТЬСЯ В ХОДЕ ЭКСПЛУАТАЦИИ РАЗРЫВНОЙ МЕМБРАНЫ. РАЗРЫВНАЯ МЕМБРАНА — УСТРОЙСТВО, СБРАСЫВАЮЩЕЕ К ИЗМЕНЕНИЯМ ТЕМПЕРАТУРЫ. ДАВЛЕНИЕ РАЗРЫВА МЕМБРАНЫ НЕПОСРЕДСТВЕННО ЗАВИСИТ ОТ ВОЗДЕЙСТВИЯ РАБОЧЕЙ ТЕМПЕРАТУРЫ. В ЦЕЛОМ, ПО МЕРЕ ПОВЫШЕНИЯ ТЕМПЕРАТУРЫ СРЕДЫ, ВОЗДЕЙСТВУЮЩЕЙ НА РАЗРЫВНУЮ МЕМБРАНУ, ДАВЛЕНИЕ РАЗРЫВА МЕМБРАНЫ СНИЖАЕТСЯ — И, НАОБОРОТ, ПО МЕРЕ СНИЖЕНИЯ ТЕМПЕРАТУРЫ СРЕДЫ, ВОЗДЕЙСТВУЮЩЕЙ НА РАЗРЫВНУЮ МЕМБРАНУ, ДАВЛЕНИЕ РАЗРЫВА МЕМБРАНЫ ПОВЫШАЕТСЯ. ИСПОЛЬЗОВАНИЕ РАЗРЫВНОЙ МЕМБРАНЫ ПРИ ТЕМПЕРАТУРЕ, ОТЛИЧАЮЩЕЙСЯ ОТ УКАЗАННОЙ ПРИ ОФОРМЛЕНИИ ЗАКАЗА, МОЖЕТ ПРИВЕСТИ К ПРЕЖДЕВРЕМЕННОМУ РАЗРЫВУ МЕМБРАНЫ ИЛИ К ПРЕВЫШЕНИЮ ДОПУСТИМОГО ДАВЛЕНИЯ В СИСТЕМЕ.

МГНОВЕННОЕ ВЫСВОБОЖДЕНИЕ ПОТОКА ПОД ВЫСОКИМ ДАВЛЕНИЕМ В СЛУЧАЕ РАЗРЫВА МЕМБРАНЫ МОЖЕТ СОПРОВОЖДАТЬСЯ ЧРЕЗВЫЧАЙНО ИНТЕНСИВНЫМ ШУМОМ В СВЯЗИ С ВЫСОКОЙ АКУСТИЧЕСКОЙ СКОРОСТЬЮ ПОТОКА. ПОЛЬЗОВАТЕЛЬ НЕСЕТ ПОЛНУЮ ОТВЕТСТВЕННОСТЬ ЗА ЗАЩИТУ НАХОДЯЩИХСЯ РЯДОМ С УСТРОЙСТВОМ ЛЮДЕЙ ОТ ШУМА, СПОСОБНОГО ПРИВЕСТИ К УХУДШЕНИЮ СЛУХА.

РАЗРЫВНЫЕ МЕМБРАНЫ И БИРКИ ИЗГОТОВЛИВАЮТСЯ ИЗ МЕТАЛЛИЧЕСКОЙ ФОЛЬГИ РАЗЛИЧНОЙ ТОЛЩИНЫ. КРАЯ МЕТАЛЛА МОГУТ БЫТЬ ОСТРЫМИ. ПЕРСОНАЛ, УСТАНОВЛИВАЮЩИЙ РАЗРЫВНЫЕ МЕМБРАНЫ ИЛИ ПРОВЕРЯЮЩИЙ ИХ СОСТОЯНИЕ, ДОЛЖЕН ПРИНИМАТЬ МЕРЫ ПРЕДОСТОРОЖНОСТИ, ЗАЩИЩАЮЩИЕ ЕГО ОТ ПОРЕЗОВ И ТРАВМ ВО ВРЕМЯ ОБРАЩЕНИЯ С РАЗРЫВНОЙ МЕМБРАНОЙ. НЕ ПОДНИМАЙТЕ РАЗРЫВНУЮ МЕМБРАНУ ЗА ПРИКРЕПЛЕННУЮ К НЕЙ БИРКУ.

ПРИ РАЗРЫВЕ МЕМБРАНЫ ВОЗМОЖЕН ВЫБОР СОСТАВЧАСТЕЙ. ЭТИ ЧАСТИЦЫ МОГУТ ОТДЕЛЯТЬСЯ ОТ САМОЙ РАЗРЫВНОЙ МЕМБРАНЫ ИЛИ ОТ ДРУГИХ ОКРУЖАЮЩИХ МЕМБРАНУ ПОВЕРХНОСТЕЙ. ПОЛЬЗОВАТЕЛЬ НЕСЕТ ПОЛНУЮ ОТВЕТСТВЕННОСТЬ ЗА ОБЕСПЕЧЕНИЕ БЕЗОПАСНОГО ВЫБРОСА ТАКИХ ЧАСТИЦ, ИСКЛЮЧАЮЩЕГО ВОЗМОЖНОСТЬ НАНЕСЕНИЯ ТРАВМ ИЛИ МАТЕРИАЛЬНОГО УЩЕРБА.

СРОК СЛУЖБЫ РАЗРЫВНОЙ МЕМБРАНЫ ГАРАНТИРОВАТЬ НЕВОЗМОЖНО. СРОК СЛУЖБЫ РАЗРЫВНОЙ МЕМБРАНЫ ЗАВИСИТ ОТ ИНТЕНСИВНОСТИ КОРРОЗИИ, ПЛАСТИЧЕСКОЙ ДЕФОРМАЦИИ И УСТАЛОСТНОГО ИЗНОСА МЕТАЛЛА, А ТАКЖЕ ОТ ФИЗИЧЕСКИХ ПОВРЕЖДЕНИЙ. ТАКИЕ ВОЗДЕЙСТВИЯ СПОСОБСТВУЮТ СНИЖЕНИЮ ДАВЛЕНИЯ РАЗРЫВА МЕМБРАНЫ. ЗАКАЗЧИК И (ИЛИ) ПОЛЬЗОВАТЕЛЬ ДОЛЖНЫ БЫТЬ ГОТОВЫ К ВОЗМОЖНОСТИ ПРЕЖДЕВРЕМЕННОГО РАЗРЫВА МЕМБРАНЫ. ХАРАКТЕРИСТИКИ РАБОЧЕЙ СРЕДЫ И ДРУГИЕ УСЛОВИЯ ЭКСПЛУАТАЦИИ ДОЛЖНЫ БЫТЬ ТАКИМИ, ЧТОБЫ ПРЕДОТВРАЩАЛОСЬ НАКОПЛЕНИЕ ИЛИ ЗАТВЕРДЕВАНИЕ РАБОЧЕЙ СРЕДЫ НА РАЗРЫВНОЙ МЕМБРАНЕ. ТАКИЕ ПРОЦЕССЫ МОГУТ ПРИВОДИТЬ К ИЗМЕНЕНИЮ ДАВЛЕНИЯ РАЗРЫВА МЕМБРАНЫ.

ЗАКАЗЧИК И (ИЛИ) СТОРОНА, ОСУЩЕСТВЛЯЮЩАЯ УСТАНОВКУ УСТРОЙСТВА, НЕСУТ ПОЛНУЮ ОТВЕТСТВЕННОСТЬ ЗА НАДЛЕЖАЩУЮ УСТАНОВКУ ПОСТАВЛЯЕМЫХ ПРОДАВЦОМ ОПРАВОК И РАЗРЫВНЫХ МЕМБРАН В СИСТЕМЕ. ЗАКАЗЧИК И (ИЛИ) СТОРОНА, ОСУЩЕСТВЛЯЮЩАЯ УСТАНОВКУ УСТРОЙСТВА, НЕСУТ ПОЛНУЮ ОТВЕТСТВЕННОСТЬ ЗА НЕПРАВИЛЬНУЮ УСТАНОВКУ И ФИЗИЧЕСКИЕ ПОВРЕЖДЕНИЯ, ВЫЗВАННЫЕ ТАКОЙ УСТАНОВКОЙ, В Т. Ч., В ЧАСТНОСТИ, ЗА ПОВРЕЖДЕНИЯ, ВЫЗВАННЫЕ УТЕЧКОЙ, ПРИЛОЖЕНИЕМ ЧРЕЗМЕРНОГО ИЛИ НЕДОСТАТОЧНОГО КРУТЯЩЕГО МОМЕНТА ИЛИ НЕПРАВИЛЬНОЙ ПОСАДКОЙ РАЗРЫВНОЙ МЕМБРАНЫ, А ТАКЖЕ НЕВЫПОЛНЕНИЕМ ПРЕДОСТАВЛЕННЫХ ИНСТРУКЦИЙ ПО УСТАНОВКЕ.

РАЗРЫВНЫЕ МЕМБРАНЫ — ПРЕЦИЗИОННЫЕ ПРЕДОХРАНИТЕЛЬНЫЕ УСТРОЙСТВА, ТРЕБУЮЩИЕ НАДЛЕЖАЩЕЙ УСТАНОВКИ. РАЗРЫВНЫЕ МЕМБРАНЫ ДОЛЖНЫ УСТАНОВЛИВАТЬСЯ ОБУЧЕННЫМ, ОПЫТНЫМ ПЕРСОНАЛОМ ТОЛЬКО В ПОДХОДЯЩИХ УСЛОВИЯХ, СООТВЕТСТВУЮЩИХ ХАРАКТЕРИСТИКАМ РАЗРЫВНЫХ МЕМБРАН. ПРОЕКТИРУЯ РАСПОЛОЖЕНИЕ ОБОРУДОВАНИЯ НА ПРЕДПРИЯТИИ, НЕОБХОДИМО УЧИТЫВАТЬ НЕОБХОДИМОСТЬ ПРЕДОТВРАЩЕНИЯ СЛУЧАЙНОГО ПОВРЕЖДЕНИЯ РАЗРЫВНОЙ МЕМБРАНЫ, СПОСОБНОГО ПРИВЕСТИ К ЕЕ ПРЕЖДЕВРЕМЕННОМУ РАЗРЫВУ, А ТАКЖЕ СРЕДСТВА И СПОСОБЫ ЗАЩИТЫ ЛЮДЕЙ, ПОДВЕРГАЮЩИХСЯ ОПАСНОСТИ В СВЯЗИ С ВОЗМОЖНОСТЬЮ ТАКОГО НЕОЖИДАННОГО РАЗРЫВА МЕМБРАНЫ.

НАДЛЕЖАЩАЯ УСТАНОВКА РАЗРЫВНОЙ МЕМБРАНЫ ИМЕЕТ ВАЖНЕЙШЕЕ ЗНАЧЕНИЕ ДЛЯ ОБЕСПЕЧЕНИЯ ЕЕ ЭФФЕКТИВНОЙ И БЕЗОПАСНОЙ ЭКСПЛУАТАЦИИ. НЕПРАВИЛЬНАЯ ПОСАДКА РАЗРЫВНОЙ МЕМБРАНЫ МОЖЕТ ПОВЛИЯТЬ НА ЕЕ ЭКСПЛУАТАЦИОННЫЕ ХАРАКТЕРИСТИКИ И ПРИВЕСТИ К ИЗМЕНЕНИЮ ДАВЛЕНИЯ ЕЕ РАЗРЫВА И К ЕЕ ПРЕЖДЕВРЕМЕННОМУ РАЗРЫВУ.

НАДЛЕЖАЩИЕ УСТАНОВКА И ТЕХНИЧЕСКОЕ ОБСЛУЖИВАНИЕ УСТРОЙСТВА С

РАЗРЫВНОЙ МЕМБРАНОЙ ИМЕЮТ ВАЖНЕЙШЕЕ ЗНАЧЕНИЕ ДЛЯ ОБЕСПЕЧЕНИЯ ЕГО ЭФФЕКТИВНОЙ И БЕЗОПАСНОЙ ЭКСПЛУАТАЦИИ. ПОЖАЛУЙСТА, ПРОЧИТАЙТЕ И ВЫПОЛНИТЕ ВСЕ ПРИВЕДЕННЫЕ ЗДЕСЬ ИНСТРУКЦИИ. ЗАКАЗЧИК НЕСЕТ ОТВЕТСТВЕННОСТЬ ЗА ВЫПОЛНЕНИЕ ЭТИХ ИНСТРУКЦИЙ, А ТАКЖЕ ЗА ПРАВИЛЬНОЕ ПОНИМАНИЕ ПРЕДУПРЕЖДЕНИЙ, ПРИВЕДЕННЫХ НА ПОСЛЕДУЮЩИХ СТРАНИЦАХ ЭТИХ ИНСТРУКЦИЙ.

DE BITTE BEACHTEN!

Die vollständige englische Version gilt als offizielle Version dieser Anleitung der Continental Disc Corporation.

ZUM VOLLEN VERSTÄNDNIS VOR DEM EINBAU DER BERSTSCHIEBE DIE ANLEITUNGEN BITTE GENAU LESEN. SIE ERHEBEN NICHT DEN ANSPRUCH, ALLE SICHERHEITSAKTIVITÄTEN ZU BEHANDLEN, DIE SICH AUS DEM EINSATZ DER BERSTSCHIEBE ERGEBEN. DER ANWENDER IST DAFÜR VERANTWORTLICH, MASSNAHMEN IN BEZUG AUF SICHERHEIT, GESUNDHEITSSCHUTZ UND SCHULUNG FÜR DAS EIGENE PERSONAL ZU ERGREIFEN, DAS MIT DEM EINBAU UND DER WARTUNG VON BERSTSCHIEBEN/VORRICHTUNGEN BEAUFTRAGT IST BZW. IN BEREICHEN ARBEITET, WO BERSTSCHIEBEN/VORRICHTUNGEN VERWENDET WERDEN. INSTANDHALTUNGS- UND/ODER WARTUNGSARBEITEN AN ODER IN DER NÄHE VON BERSTSCHIEBEN DÜRFEN NICHT DURCHFÜHRT WERDEN, WÄHREND DIE BERSTSCHIEBEN BETRIEBSDRÜCKEN UND/ODER -TEMPERATUREN AUSGESETZT SIND.

DER ANWENDER IST ALLEIN VERANTWORTLICH FÜR DIE AUSLEGUNG UND ANORDNUNG DER BERSTSCHIEBEN IM EIGENEN BETRIEB UND IN DEN ANLAGEN, IN DENEN DIE VOM ANWENDER GEWÄHLTEN BERSTSCHIEBEN VERWENDET WERDEN SOLLEN. NACH DEM BEABSICHTIGT ZWECKENTSPRECHENDEN BERSTEN DER BERSTSCHIEBE IST DER ANWENDER ALLEIN VERANTWORTLICH FÜR DIE AUSLEGUNG EINER AUSREICHENDEN ENTLÜFTUNG UND DIE INSTALLATION ANGEMESSENER ENTLÜFTUNGSLEITUNGEN BZW. DER STRÖMUNGSRICHTUNG. WENN EINE GRÖSSE ANGEGEBEN WURDE, NIMMT CONTINENTAL DISC CORPORATION AN, DASS DER KÄUFER AUSREICHENDE VORKEHRUNGEN FÜR DIE ORDNUNGSGEMÄSSE ENTLÜFTUNG UND SPEZIFISCHE DRUCKENTLASTUNG DES SYSTEMS GETROFFEN HAT. DIE BERSTSCHIEBE IST SO ANZUBRINGEN, DASS PERSONEN ODER EIGENTUMSGEGENSTÄNDE IM FALL DES BERSTENS NICHT DEM ENTWICKELNDEN SYSTEMDRUCK AUSGESETZT SIND. GIFTIGE ODER BRENNBARE DÄMPFE ODER FLÜSSIGKEITEN SIND AN EINEN SICHEREN ORT ABZULEITEN, UM PERSONEN- ODER SACHSCHÄDEN ZU VERHINDERN.

DER ANWENDER IST ALLEIN VERANTWORTLICH FÜR DIE FESTLEGUNG DES NENNBERSTDRUCKS DER BERSTSCHIEBE BEI DER KOINZIDENZTEMPERATUR, BEI DER DIE BERSTSCHIEBE VERWENDET WERDEN SOLL. EINE BERSTSCHIEBE IST EINE TEMPERATUREMPFINDLICHE VORRICHTUNG. DER BERSTDRUCK DER BERSTSCHIEBE WIRD DIREKT VON DER KOINZIDENZTEMPERATUR BEEINFLUSST. WENN DIE TEMPERATUR AN DER BERSTSCHIEBE STEIGT, VERRINGERT SICH IM ALLGEMEINEN DER BERSTDRUCK; UMGEKEHRT GILT, DASS SICH DER BERSTDRUCK ERHÖHEN KANN, WENN SICH DIE TEMPERATUR AN DER BERSTSCHIEBE VERRINGERT. WENN DIE BERSTSCHIEBE NICHT BEI DER SPEZIFIZIERTEN KOINZIDENZTEMPERATUR VERWENDET WIRD, KANN DIES ZUM VORZEITIGEN VERSAGEN ODER ZUR ÜBERDRUCKBEAUFSCHLAGUNG DES SYSTEMS FÜHREN.

DER PLÖTZLICHE DRUCKABLAUSS AUS DER BERSTSCHIEBE KANN HOHE LÄRMPEGEL VERURSACHEN, DA DER DRUCK MIT SCHALLGESCHWINDIGKEIT ENTWEICHT. DER ANWENDER IST ALLEIN FÜR DEN SCHUTZ DER UMSTEHENDEN PERSONEN VOR GEHÖRSCHÄDEN VERANTWORTLICH.

BERSTSCHIEBEN UND TYPENSCHILDER BESTEHEN AUS METALLFOLIE UNTERSCHIEDLICHER STÄRKE. DIE METALLKANTEN KÖNNEN SCHARF SEIN. MIT EINBAU ODER PRÜFUNG DER BERSTSCHIEBEN BEAUFTRAGTES PERSONAL BEI DER HANDHABUNG DER BERSTSCHIEBEN VOR SCHNITT- UND SONSTIGEN VERLETZUNGEN SCHÜTZEN! BERSTSCHIEBEN NICHT AN DEN ANGEBRACHTEN TYPENSCHILDERN HOCHHEBEN.

BEIM BERSTEN DER BERSTSCHIEBE KÖNNEN PARTIKEL FREISETZT WERDEN. ES KANN SICH DABEI UM BESTANDTEILE DER BERSTSCHIEBE ODER SONSTIGE IM SYSTEM BEFINDLICHE SUBSTANZEN HANDELN. DER ANWENDER IST ALLEIN DAFÜR VERANTWORTLICH, DIESE PARTIKEL IN EINEN SICHEREN BEREICH ABZUFÜHREN, UM PERSONEN- ODER SACHSCHÄDEN ZU VERHINDERN.

ES BESTEHT KEINE GARANTIERTE LEBENSDAUER FÜR BERSTSCHIEBEN. DIE LEBENSDAUER HÄNGT VON KORROSION, KRIECHDEHNUNG UND MATERIALERMÜDUNG SOWIE DIREKTEN BESCHÄDIGUNGEN AB. DIESE BEDINGUNGEN VERRINGERN DEN ANSPRECHDRUCK DER BERSTSCHIEBE. DER KUNDE BZW. ANWENDER SOLLTE SICH AUF EIN VORZEITIGES VERSAGEN DER BERSTSCHIEBE EINSTELLEN. VERFAHRENSMEDIEN ODER SONSTIGE UMWELTBEDINGUNGEN DÜRFEN KEINE ANSAMMLUNG ODER VERFESTIGUNG VON VERFAHRENSMEDIEN AN DER BERSTSCHIEBE ZULASSEN. DADURCH KANN SICH DER EINGESTELLTE ANSPRECHDRUCK DER BERSTSCHIEBE ERHÖHEN.

DER KUNDE UND/ODER DESSEN MONTEUR SIND ALLEIN DAFÜR VERANTWORTLICH, DASS DIE HALTER UND BERSTSCHIEBEN DES VERKÄUFERS ORDNUNGSGEMÄSS IN DEM JEWEILIGEN SYSTEM EINGEBAUT WERDEN. DER KUNDE UND/ODER DESSEN MONTEUR SIND ALLEIN FÜR DEN INKORREKTEN EINBAU UND DIE DARAUS RESULTIERENDEN SCHÄDEN VERANTWORTLICH. DIES UMFASST U.A. SCHÄDEN DURCH LECKAGEN, INKORREKTES ANZIEHEN ODER EINPASSEN EINER BERSTSCHIEBE ODER DIE NICHTBEACHTUNG DER EINBAUANLEITUNGEN, FALLS DIESE MITGELIEFERT WURDEN.

BERSTSCHIEBEN SIND PRÄZISE SICHERHEITSVORRICHTUNGEN UND MÜSSEN KORREKT INSTALLIERT WERDEN. BERSTSCHIEBEN MÜSSEN VON AUSGEBILDETEN, ERFAHRENEN MONTEUREN INSTALLIERT WERDEN, UND ZWAR NUR IN UMGEBUNGEN, DIE SICH FÜR DEN EINBAU VON BERSTSCHIEBEN EIGNEN. BEI DER AUSLEGUNG EINER ANLAGE IST DARAUF ZU ACHTEN, DASS SOWOHL DIE BERSTSCHIEBE VOR UNBEABSICHTIGTEN SCHÄDEN GESCHÜTZT IST, DIE ZU EINEM VORZEITIGEN AUSLÖSEN FÜHREN KÖNNTEN, ALS AUCH DASS SIE EINZELPERSONEN VOR DEN GEFAHREN SCHÜTZT, DIE DURCH PLÖTZLICHES

AUSLÖSEN ENTSTEHEN KÖNNEN.

DER KORREKTE EINBAU DER BERSTSCHIEBE IST AUSSCHLAGGEBEND FÜR LEISTUNG UND SICHERHEIT. WENN DIE BERSTSCHIEBE NICHT KORREKT EINGEPASST WIRD, KANN DIES IHRE LEISTUNG UND DIE BERSTDRUCKPRÄZISION BEEINTRÄCHTIGEN UND SOMIT ZU IHREM VORZEITIGEN VERSAGEN FÜHREN.

RICHTIGER EINBAU UND GUTE INSTANDHALTUNG SIND FÜR DAS SICHERE UND EFFIZIENTE FUNKTIONIEREN DES BERSTSCHIEBENSYSTEMS UNERLÄSSLICH. ES WIRD GEBETEN, DIESE ANLEITUNGEN GENAU ZU LESEN UND ZU BEFOLGEN. DER KUNDE IST FÜR DIE BEFOLGUNG DIESER ANLEITUNGEN SOWIE DER AUF DEN LETZTEN SEITEN DIESER ANWEISUNGEN AUFGELISTETEN WARNUNGEN VERANTWORTLICH.

IT AVVERTENZA

La versione completa in lingua inglese è la versione ufficiale Continental Disc Corporation di queste istruzioni.

L'UTENTE DEVE LEGGERE E COMPNDERE APPIENO QUESTE ISTRUZIONI PRIMA DI INSTALLARE IL DISCO DI ROTTURA. QUESTE ISTRUZIONI NON PRETENDONO DI INTERESSARE TUTTI I FATTORI DI SICUREZZA ASSOCIATI ALL'USO DEL DISCO DI ROTTURA IN SERVIZIO. È RESPONSABILITÀ DELL'UTENTE ISTITUIRE MISURE DI SICUREZZA, SANITARIE E DI FORMAZIONE APPROPRIATE PER IL PERSONALE CHE HA CURA DELL'INSTALLAZIONE, REVISIONE O MANUTENZIONE DEI DISCHI DI ROTTURA O CHE LAVORA IN UN'AREA DOVE SONO UTILIZZATI I DISCHI DI ROTTURA. LE OPERAZIONI DI REVISIONE E/O MANUTENZIONE DEL DISCO DI ROTTURA O IN PROSSIMITÀ DEL DISCO DI ROTTURA NON DEVONO ESSERE COMPIUTE MENTRE IL DISPOSITIVO È SOTTOPOSTO A PRESSIONI E/O TEMPERATURE OPERATIVE.

LA PROGETTAZIONE E IL POSIZIONAMENTO DEI DISCHI DI ROTTURA ALL'INTERNO DELL'IMPIANTO E SULLE APPARECCHIATURE SULLE QUALI IL DISCO DI ROTTURA SELEZIONATO DALL'UTENTE DOVRÀ ESSERE INSTALLATO SONO DI ESCLUSIVA RESPONSABILITÀ DELL'UTENTE. LA PROGETTAZIONE DI SFIATI ADEGUATI E L'INSTALLAZIONE DI TUBAZIONI ADEGUATE PER GLI SFIATI O PER IL FLUSSO DIREZIONALE DOPO CHE LA ROTTURA DEL DISCO SI È VERIFICATA COME PREVISTO SONO DI ESCLUSIVA RESPONSABILITÀ DELL'UTENTE. QUANDO SI SPECIFICANO DIMENSIONI, CONTINENTAL DISC CORPORATION PRESUME CHE MISURE ADEGUATE SIANO STATE PRESE DA PARTE DELL'ACQUIRENTE PER LO SFIATO CORRETTO DI UN SISTEMA PER IL RILASCIO DELLA PRESSIONE SPECIFICA. POSIZIONARE IL DISCO DI ROTTURA IN MODO DA EVITARE L'ESPOSIZIONE DI PERSONE O COSE ALLO SCARICO DEL SISTEMA IN CASO DI ROTTURA. SCARICARE I FUMI O I LIQUIDI TOSSICI O INFIAMMABILI IN UN LUOGO SICURO IN MODO DA EVITARE LESIONI PERSONALI O DANNI ALLE COSE.

LA SPECIFICA DELLA TARATURA PER LA PRESSIONE DI SCOPPIO DI UN DISCO DI ROTTURA A UNA TEMPERATURA COINCIDENTE A CUI IL DISCO DI ROTTURA DEVE ESSERE UTILIZZATO È DI ESCLUSIVA RESPONSABILITÀ DELL'UTENTE. UN DISCO DI ROTTURA È UN DISPOSITIVO SENSIBILE ALLA TEMPERATURA. LA PRESSIONE DI SCOPPIO DEL DISCO DI ROTTURA È INFLUENZATA DIRETTAMENTE DALLA SUA ESPOSIZIONE ALLA TEMPERATURA COINCIDENTE. GENERALMENTE, MAN MANO CHE LA TEMPERATURA AL DISCO DI ROTTURA AUMENTA, LA PRESSIONE DI SCOPPIO DIMINUISCE; INVERSAMENTE, MAN MANO CHE LA TEMPERATURA AL DISCO DI ROTTURA DIMINUISCE, LA PRESSIONE DI SCOPPIO PUÒ AUMENTARE. IL MANCATO UTILIZZO CORRETTO DI UN DISCO DI ROTTURA ALLA TEMPERATURA COINCIDENTE SPECIFICATA POTREBBE CAUSARE IL MALFUNZIONAMENTO PREMATURO O LA SOVRAPRESSIONE DI UN SISTEMA.

IL RILASCIO ISTANTANEO DI PRESSIONE DAL DISCO DI ROTTURA PUÒ CREARE RUMORI VIOLENTI A CAUSA DELLO SCARICO ALLA VELOCITÀ SONICA. LA PROTEZIONE DA DANNI ALL'UDITO DI QUALSIASI PERSONA SI TROVI NELLE VICINANZE È DI ESCLUSIVA RESPONSABILITÀ DELL'UTENTE.

I DISCHI DI ROTTURA E LE ETICHETTE SONO FATTI DI LAMINE DI METALLO DI SPESSORE VARIABILE. I BORDI DI METALLO POSSONO ESSERE TAGLIANTI. IL PERSONALE CHE INSTALLA O ESAMINA I DISCHI DI ROTTURA DEVE PROTEGGERSI DA TAGLI O LESIONI NEL MANEGGIARE IL DISCO DI ROTTURA. NON SOLLEVARE UN DISCO DI ROTTURA PER L'ETICHETTA AD ESSO COLLEGATA.

QUANDO SI ROMPE IL DISCO DI ROTTURA POSSONO VENIRE RILASCIATI DEI FRAMMENTI. QUESTI FRAMMENTI POSSONO ESSERE PEZZI DEL DISCO DI ROTTURA STESSO O ALTRI MATERIALI AMBIENTALI NEL SISTEMA. È ESCLUSIVA RESPONSABILITÀ DELL'UTENTE ASSICURARE CHE QUESTI FRAMMENTI SIANO RILASCIATI VERSO UN'AREA SICURA PER EVITARE LESIONI PERSONALI O DANNI ALLE COSE.

LA DURATA DEL DISCO DI ROTTURA NON È GARANTITA. TALE DURATA DIPENDE DA CORROSIONE, DEFORMAZIONE E FATICA, E DANNI FISICI. QUESTE CONDIZIONI DECLASSERANNO IL DISCO DI ROTTURA A UNA TARATURA DI PRESSIONE INFERIORE. IL CLIENTE E/O L'UTENTE DEVONO ESSERE PRONTI A GESTIRE IL MALFUNZIONAMENTO PREMATURO DEL DISCO DI ROTTURA. IL VEICOLO O ALTRE CONDIZIONI AMBIENTALI NON DEVONO PERMETTERE ALCUN ACCUMULO O SOLIDIFICAZIONE DEL VEICOLO SU UN DISCO DI ROTTURA. QUESTO PUÒ AUMENTARE LA TARATURA DI PRESSIONE DEL DISCO DI ROTTURA.

IL CLIENTE E/O L'INSTALLATORE SARANNO ESCLUSIVAMENTE RESPONSABILI DELL'INSTALLAZIONE CORRETTA DEI SUPPORTI E DEI DISCHI DI ROTTURA DEL VENDITORE IN UN SISTEMA. IL CLIENTE E/O L'INSTALLATORE SARANNO ESCLUSIVAMENTE RESPONSABILI IN CASO DI INSTALLAZIONE ERRONEA E DEI DANNI FISICI RISULTANTI, INCLUSI, MA NON LIMITATAMENTE, DANNI DERIVANTI DA PERDITE, COPPIA DI SERRAGGIO ERRATA O INSTALLAZIONE ERRATA NELLA SEDE DI UN DISCO DI ROTTURA O DAL MANCATO RISPETTO DELLE ISTRUZIONI SE FORNITE.

I DISCHI DI ROTTURA SONO DISPOSITIVI DI SICUREZZA DI PRECISIONE E DEVONO ESSERE INSTALLATI CORRETTAMENTE. I DISCHI DI ROTTURA DEVONO ESSERE INSTALLATI DA INSTALLATORI BEN PREPARATI ED ESPERTI E SOLO ALL'INTERNO DI AMBIENTI ADATTI E APPROPRIATI PER UN DISCO DI ROTTURA. NELLA PROGETTAZIONE DI UN IMPIANTO È NECESSARIO FARE ATTENZIONE SIA A PROTEGGERE IL DISCO DI ROTTURA DA DANNI INVOLONTARI, CHE POTREBBERO CAUSARNE IL RILASCIO PREMATURO, SIA A PROTEGGERE IL PERSONALE ED EVENTUALI ASTANTI DAI RISCHI DERIVANTI DA UN TALE RILASCIO IMPROVVISO.

LA CORRETTA INSTALLAZIONE DI UN DISCO DI ROTTURA È ESSENZIALE PER LE PRESTAZIONI E PER LA SICUREZZA. UNA SEDE INADEGUATA PER IL DISCO DI ROTTURA PUÒ INFLUIRE NEGATIVAMENTE SULLE PRESTAZIONI DEL DISCO E SULL'ACCURATEZZA DELLA PRESSIONE DI SCOPPIO E AVERE COME RISULTATO IL MALFUNZIONAMENTO PREMATURO DEL DISCO DI ROTTURA.

L'INSTALLAZIONE E LA MANUTENZIONE CORRETTE SONO ESSENZIALI AL FUNZIONAMENTO SICURO ED EFFICIENTE DI UN DISCO DI ROTTURA. LEGGERE E SEGUIRE TUTTE QUESTE ISTRUZIONI. IL CLIENTE È RESPONSABILE DEL RISPETTO DI QUESTE ISTRUZIONI, COME PURE DEGLI AVVERTIMENTI RIPORTATI SULLE PAGINE IN CALCE A QUESTE ISTRUZIONI.

NL WAARSCHUWING

De volledige Engelse versie is de officiële versie van deze aanwijzingen van Continental Disc Corporation.

DE GEBRUIKER DIENT DEZE AANWIJZINGEN TE LEZEN EN GOED TE BEGRIPEN ALVORENS DEZE BREEKPLATEN TE INSTALLEREN. HET IS NIET DE BEDOELING DAT DEZE AANWIJZINGEN ALLE AAN HET GEBRUIK IN BEDRIJF VAN DE BREEKPLAAT VERBONDEN VEILIGHEIDSFACTOREN BEHANDELEN. HET IS DE VERANTWOORDELIJKHED VAN DE GEBRUIKER OM DE GESCHIKTE VEILIGHEIDS-, GEZONDHEIDS- EN TRAININGSMAATREGELEN OP TE STELLEN VOOR HUN PERSONEEL DAT INSTALLATIES OF ONDERHOUD UITVOERT OF WERKT IN EEN GEBIED WAAR BREEKPLAATCONSTRUCTIES IN GEBRUIK ZIJN. SERVICE- EN/OF ONDERHOUDSWERKZAAMHEDEN AAN OF RONDOM BREEKPLATEN MOGEN NIET WORDEN UITGEVOERD TERWIJL DE BREEKPLATEN ONDER BEDRIJFSDRUK EN/OF TEMPERATUUR STAAN.

DE GEBRUIKER IS GEHEEL ALLEEN VERANTWOORDELIJK VOOR HET ONTWERP EN DE PLAATSING VAN BREEKPLATEN IN HET EIGEN BEDRIJF EN IN DE UITRUSTING WAAROP DE DOOR DE GEBRUIKER GESELECTEERDE BREEKPLAAT MOET WORDEN GEPLAATST. DE GEBRUIKER IS GEHEEL ALLEEN VERANTWOORDELIJK VOOR ONTWERP VAN VOLDOENDE VENTILATIE EN INSTALLATIE VAN VOLDOENDE VENTILATIEBUIZEN OF DIRECTIONELE STROMING NADAT DE BREEKPLAAT ZOAALS BEDOELD OPEN GEGAAN IS. WANNEER MAAT IS AANGEGEVEN, NEEMT CONTINENTAL DISC CORPORATION AAN DAT VOLDOENDE VOORZIEGINGEN ZIJN GETROFFEN DOOR DE KOPER VOOR DE BEHOORLIJKE VENTILATIE VAN EEN SYSTEEM OM DE SPECIFIEKE DRUK TE ONTLASTEN. PLAATS DE BREEKPLAAT WAAR PERSONEN OF BEZITTINGEN IN GEVAL VAN BARSTEN NIET AAN DE DRUKONTLASTING VAN HET SYSTEEM WORDEN BLOOTGESTELD. VENTILEER GIFTIGE OF BRANDBARE DAMPEN OF VLOEISTOFFEN NAAR EEN VEILIGE PLAATS OM LICHAAMELIJK LETSEL OF SCHADE AAN BEZITTINGEN TE VOORKOMEN.

DE GEBRUIKER IS GEHEEL ALLEEN VERANTWOORDELIJK VOOR HET SPECIFICEREN VAN DE NOMINALE BARSTDRUK VAN EEN BREEKPLAAT BIJ EEN COÏNCIDENTE TEMPERATUUR WAARBIJ DE BREEKPLAAT GEBRUIKT ZAL WORDEN. EEN BREEKPLAAT IS EEN TEMPERATUURGEVOELIG INSTRUMENT. DE BARSTDRUK VAN DE BREEKPLAAT WORDT RECHTSTREEKS BEÏNVOLOED DOOR DE BLOOTSTELLING ERVAN AAN DE COÏNCIDENTE TEMPERATUUR. NAARMATE DE TEMPERATUUR BIJ DE BREEKPLAAT STIJGT, NEEMT DE BARSTDRUK OVER HET ALGEMEEN AF; OMGEKEERD GELDT DAT NAARMATE DE TEMPERATUUR BIJ DE BREEKPLAAT DAALT, DE BARSTDRUK KAN TOENEMEN. NALATEN EEN BREEKPLAAT OP DE JUISTE WIJZE TE GEBRUIKEN BIJ DE GESPECIFICEERDE COÏNCIDENTE TEMPERATUUR KAN VROEGTIJDIG FALEN OF OVERDRUK VAN EEN SYSTEEM TOT GEVOLG HEBBEN.

DE ONMIDDELLIJKE ONTLASTING VAN DRUK VAN DE BREEKPLAAT KAN KEIHARDE GELUIDEN CREËREN WEGENS ONTLASTING OP GELUIDSSNELHEID. DE GEBRUIKER IS GEHEEL ALLEEN VERANTWOORDELIJK VOOR DE BESCHERMING TEGEN SCHADE AAN HET GEHOOR VAN EVENTUELE OMSTANDERS.

BREEKPLATEN EN LABELS ZIJN VERVAARDIGD UIT METAALFOLIES VAN VERSCHILLENDE DIKTEN. DE METALEN RANDEN KUNNEN SCHERP ZIJN. PERSONEEL DAT DE BREEKPLATEN INSTALLEERT OF ONDERZOEKT, DIENT BESCHERMD TE ZIJN TEGEN SNEËN OF LETSEL TIJDENS HET HANTEREN VAN DE BREEKPLAAT. EEN BREEKPLAAT NIET AAN HET ERAAN BEVESTIGDE LABEL OPTILLEN.

ER KUNNEN DEELTJES VRIJKOMEN WANNEER DE BARTSCHIJF BARST. DEZE DEELTJES KUNNEN EEN DEEL VAN DE BREEKPLAAT ZELF ZIJN OF ANDER OMGEVINGSMATERIAAL IN HET SYSTEEM. DE GEBRUIKER IS GEHEEL ALLEEN VERANTWOORDELIJK OM ERVOOR TE ZORGEN DAT DEZE DEELTJES NAAR EEN VEILIG GEBIED WORDEN GERICHT OM LICHAAMELIJK LETSEL OF SCHADE AAN BEZITTINGEN TE VOORKOMEN.

DE LEVENSDUUR VAN EEN BREEKPLAAT WORDT NIET GEGARANDEERD. DIE LEVENSDUUR WORDT BEÏNVOLOED DOOR CORROSIE, CREEP EN VERMOEIDHEID, EN FYSIEKE SCHADE. DOOR DEZE OMSTANDIGHEDEN WORDT DE BARSTDRUK GECLASSIFICEERD VOOR EEN LAGERE INSTELDRIJK. DE KLANT EN/OF GEBRUIKER DIENT EROP VOORBEREID TE ZIJN OM VROEGTIJDIG FALEN VAN DE BREEKPLAAT AAN TE PAKKEN. ER MAG GEEN OPHOPING OF VERHARDING VAN MEDIA OP EEN BREEKPLAAT PLAATSVINDEN DOOR DE GEBRUIKTE MEDIA OF ANDERE OMGEVINGSOMSTANDIGHEDEN. DIT KAN DE DRUKINSTELLING VAN DE BREEKPLAAT VERHOGEN.

DE KLANT EN/OF DE INSTALLATEUR ZIJN GEHEEL ALLEEN VERANTWOORDELIJK VOOR DE JUISTE INSTALLATIE VAN DE HOUDERS EN BARSCHSCHIJVEN VAN DE VERKOPER IN EEN SYSTEEM. DE KLANT EN/OF DE INSTALLATEUR ZIJN GEHEEL ALLEEN VERANTWOORDELIJK VOOR ONJUISTE INSTALLATIE EN FYSIEKE SCHADE DIE DAARUIT VOORTVLOEIT, WAARONDER ZONDER BEPERKING SCHADE ALS GEVOLG VAN LEKKAGE, ONJUIST AANDRAAIEN OF PLAATSEN VAN EEN BREEKPLAAT OF NALATEN DE EVENTUEEL GEGEVEN INSTALLATIEAANWIJZINGEN TE VOLGEN.

BREEKPLATEN ZIJN PRECISIEVEILIGHEIDSTRUMENTEN EN MOETEN OP DE JUISTE WIJZE WORDEN GEÏNSTALLERD. BREEKPLATEN MOETEN WORDEN GEÏNSTALLERD DOOR OPGELEIDE, GOED GEÏNFORMEERDE INSTALLATEURS EN ALLEEN IN OMGEVINGEN DIE GESCHIKT EN GEPAST ZIJN VOOR EEN BREEKPLAAT. ER MOET ZORG WORDEN BETRACHT BIJ HET ONTWERP VAN EEN UITRUSTING OM ZOWEL DE BREEKPLAAT TE BESCHERMEN TEGEN ONBEDOELDE SCHADE,

WAARDOOR VROEGTIJDIG OPENGAAN VEROORZAAKT KAN WORDEN, ALS PERSONEN TE BESCHERMEN DIE WORDEN BLOOTGESTELD AAN DOOR EEN DERGELIJK PLOTSSELING OPENGAAN GECREËERDE GEVAREN.

E JUISTE INSTALLATIE VAN EEN BREEKPLAAT IS ESSENTIEEL VOOR DE WERKING EN DE VEILIGHEID. DOOR ONJUISTE PLAATSING VAN EEN BREEKPLAAT KAN DE WERKING VAN DE BREEKPLAAT EN DE NAUWKEURIGHEID VAN DE BARSTDRUK WORDEN BEÏNVOLOED EN DIT KAN VROEGTIJDIG FALEN TOT GEVOLG HEBBEN.

DE JUISTE INSTALLATIE EN HET JUISTE ONDERHOUD ZIJN ESSENTIEEL VOOR DE VEILIGE EN EFFICIENTE WERKING VAN EEN APPARAAT MET BREEKPLAAT. LEES EN VOLG AL DEZE AANWIJZINGEN OP. DE KLANT IS VERANTWOORDELIJK VOOR HET OPVOLGEN VAN DEZE AANWIJZINGEN, ALSOOK VAN DE OP DE ACHTERPAGINA'S VAN DEZE AANWIJZINGEN VERMELDE WAARSCHUWINGEN.

CN 警告

在安装爆破片前，用户应阅读并彻底理解本说明。本说明并非意图涵盖爆破片使用中的所有安全因素。用户有责任为他们在使用爆破片组件的工区内从事安装、维护或作业的人员建立适当的安全、健康和培训措施。当爆破片装置处于承压和（或）高温状态时，不得对爆破片装置或在装置附近进行维护和（或）保养作业。

对于用户设施内和设备上选配的爆破片，设计和安放责任由用户独立承担。用户须根据需要独立负责设计足够的通风设施，安装足够的通风管道或引流排放装置，用于爆破片正常爆破后泄放压力介质。美国CDC公司认定，买方为保证系统通风顺畅以释放特定压力而已经配备了充足的装备。选择爆破片的安装位置时，应保证爆破片一旦爆裂，系统泄压时不会伤及人身或财产。为了防止造成人身伤害或损坏财产，须将毒性或易燃性烟气或液体排放至安全地点。

用户须独立负责在与使用爆破片相一致的温度情况下，指定爆破片的爆破压力额定值。爆破片是热敏装置。爆破片的爆破压力直接受爆破温度的影响。一般情况下，爆破片的温度升高，爆破压力就降低；反过来，爆破片的温度降低，爆破压力就会上升；爆破片的爆破温度选型不当，可能导致爆破片过早失效或系统发生过压。

爆破片爆破后泄放压力，压力介质的瞬间泄放速度为声速，因此可能产生巨大的噪音。用户须独立负责防止旁观人员听力受损。

爆破片和爆破片的铭牌是用不同厚度的金属薄片制造而成，边缘可能非常锋利。安装或检查爆破片的人员在接触爆破片时应防止被爆破片割伤或损伤。不得用手抓握铭牌以提举爆破片。

爆破片爆破时，可能会有颗粒物排出。排出的颗粒物可能是爆破片本身的碎片，也可能是系统内积存的环境物质。用户须独立负责确保将这些颗粒物引导至安全区域，以防伤及人员或财产。

不能保证爆破片的使用寿命。腐蚀、蠕变和疲劳以及物理损伤都会影响爆破片的寿命。这些情况会降低爆破片的爆破压力。客户和（或）用户应做好处理爆破片过早失效的准备。介质或其他环境条件不应允许介质在爆破片上积聚附着或固化。这种情况可能会增大爆破片的压力设定。

客户和（或）客户的安装人员须独立负责在系统内正确安装卖方的夹持器和爆破片。对于安装不当和由此造成的物理损伤（包括但不限于因泄漏、爆破片扭力设置或安装位置不当或不遵守安装规定所造成的损伤），客户和（或）客户的安装人员须承担全部责任。

爆破片是精密的安全装置，必须正确安装。爆破片的安装人员必须接受专门的训练，掌握安装知识，并且只能安装在对爆破片适当的环境内。为了防止爆破片意外损坏（可导致过早爆破）以及因爆破片突然爆破而造成人身伤害，在对设施的设计时，务必小心谨慎。

为保证爆破片发挥作用和安全，必须要正确安装爆破片。爆破片安装位置不当，可能会影响爆破片的性能和爆破压力的准确性，还可能造成爆破片过早失效。

为了保证爆破片装置安全高效运行，必须对其进行正确的安装和保养。请阅读和遵守所有规定。客户有责任遵守本说明以及本说明结尾处的警告说明。

完整的英文版是美国CDC公司有关本说明的正式版本。



**Continental Disc[®]
Corporation**

Performance Under Pressure[®]

HEADQUARTERS //
3160 W. Heartland Drive
Liberty, MO 64068 USA
Ph (816) 792-1500
Fax (816) 792-2277
sales@contdisc.com
www.contdisc.com